

2 port pilot operated solenoid valve

CXU30-FAD Series

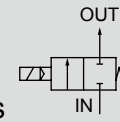
NC (normally closed)

Diaphragm structure

Modular connection with 3000 Series

Suitable as modular component master valves

JIS symbol



Screw free
open type

RoHS

In
line

Specifications

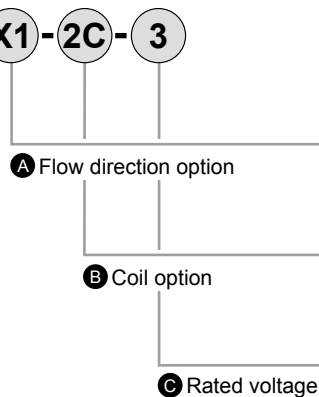
Descriptions	CXU30-FAD	
Working fluid	Compressed air	
Min. working pressure difference MPa	0.1	
Max. working pressure difference MPa	0.7	
Max. working pressure MPa	0.7	
Withstanding pressure MPa	1.4	
Fluid temperature °C	-10 to 60 (to be unfrozen)	
Ambient temperature °C	-10 to 60	
Atmosphere	Does not contact water, corrosive or flammable gas.	
Valve structure	Pilot operated diaphragm structure	
Valve leakage cm ³ /min (ANR)	10 or less	
Mounting	Flexible	
Port size	None	
Orifice mm	15	
C [dm ³ /(s·bar)] Note 1	18	
b	0.4	
Weight kg	0.5	
Electrical specifications		
Rated voltage	100VAC, 24VDC	
Apparent power VA	50Hz	7.5
	60Hz	5.5
Power consumption W	50Hz	4
	60Hz	3.4
	DC	6.5
Heat proof class	B	

Note 1: Effective sectional area S and sonic conductance C are converted as $S \approx 5.0 \times C$.

Note 2: Depending on use, such as using with an extremely small flow rate or when the solenoid valve's secondary side is restricted, operation may be unstable at pressure differences less than 0.1 MPa.

How to order

CXU30-FAD-00 - X1 - 2C - 3



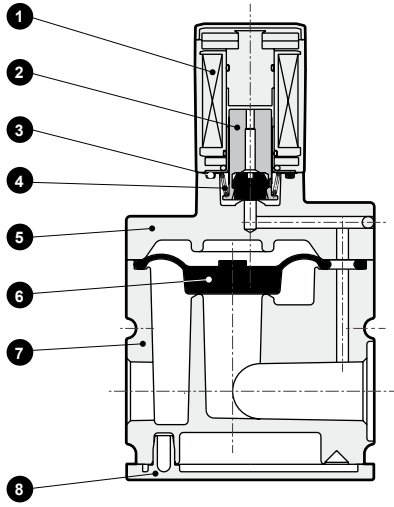
Symbol	Descriptions
A Flow direction option	
Blank	Standard flow (left to right)
X1	Reverse flow (right to left)
B Coil option	
2C	Grommet lead wire
2HS	DIN terminal box with light, surge suppressor (Pg11)
C Rated voltage	
1	100VAC 50/60Hz, 110VAC 60Hz
3	24VDC

⚠ Cautions for model No. selection

Note: Joiner set included

Internal structure and parts list

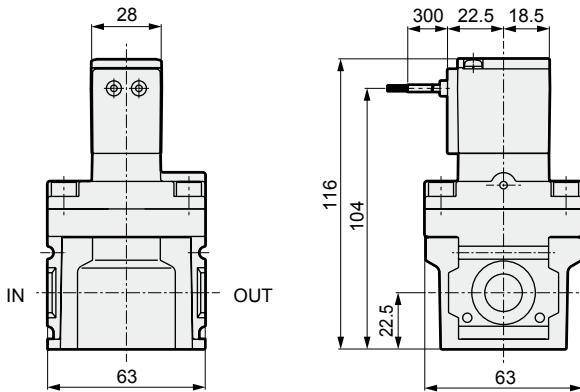
● CXU30-FAD



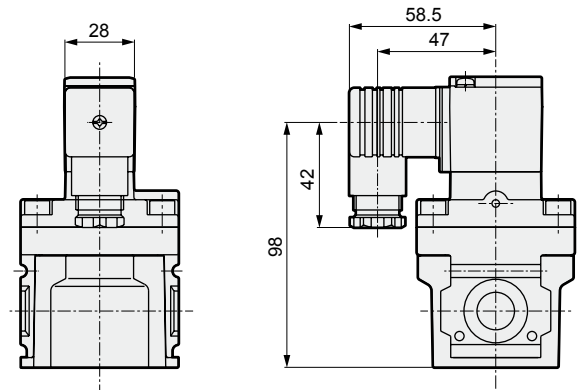
No.	Part name	Material	
1	Coil assembly	B class molded coil	
2	Plunger assembly	SUS, NBR	Stainless, nitrile rubber
3	O-ring	NBR	Nitrile rubber
4	Spring	SUS	Stainless steel
5	Stuffing	ADC	Aluminum alloy die-casting
6	Diaphragm	U	Urethane rubber resin
7	Body	ADC	Aluminum alloy die-casting
8	Plate cover	ABS	ABS resin

Dimensions

● Grommet lead wire type CXU30-FAD-00-*-2C-*



● With DIN terminal box (Pg7) type CXU30-FAD-00-*-2HS-*



CXU30-FAD-00-X1-2C-*

