



Air filter standard white Series F1000/F3000/F4000 F6000/F8000-W Series

Introducing the 5 μm element for dust removal and 0.3 μm element for tar removal. (Excluding F1000 Series) port size: 1/8 to 1

JIS symbol



Specifications

Descriptions	F1000-W	F3000-W	F4000-W	F6000-W	F8000-W
Working fluid	Compressed air				
Max. working pressure MPa	1.0 Note 2, 3, 4				
Withstanding pressure MPa	1.5 Note 2				
Ambient temperature range °C	5 to 60				
Filtration rating μm	5		5 or 0.3		
Drain capacity cm ³	12	45	80	80	80 (Note 1)
Port size Rc	1/8, 1/4 (3/8 uses an adapter)	1/4, 3/8 (1/2 uses an adapter)	1/4, 3/8, 1/2 (3/4 uses an adapter)	3/4, 1 (1 1/4 uses an adapter)	3/4, 1 (1 1/4 uses an adapter)
Product weight kg	0.087	0.25	0.45	0.9	1.16
Standard accessories	Bowl guard				

Note 1: Up to 170 m³ is stored only with the manual drain cock type.

Note 2: When "F1" with an automatic drain is selected for the F1000-W series, minimum operating pressure is 0.2 MPa, maximum operation pressure is 0.7 MPa and withstanding pressure is 1.05 MPa.

Refer to the maximum processing flow table (page 426) for the F1000-W-F1 automatic drain for the maximum working flow. Set the working flow to less than the maximum working flow.

Note 3: When "F1" with an automatic drain is selected, minimum operation pressure must be 0.1 MPa. Initially generated drainage and air are purged until pressure reaches 0.1 MPa.

Note 4: When "F1" with an automatic drain is selected, minimum operation pressure must be 0.15 MPa.

Clean room specifications (catalog No. CB-033SA)

- Dust generation preventing structure for use in cleanrooms

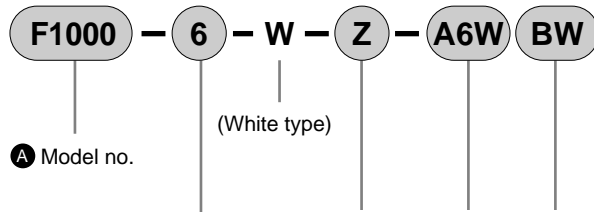
F*000 P7*

- Max. usage rate with F1000-W-F1 automatic drain

(m³/min. (ANR))

Primary pressure MPa	0.2	0.3	0.4	0.5	0.6	0.7
Port size						
6	0.185	0.250	0.310	0.375	0.435	0.500
8	0.225	0.300	0.375	0.450	0.525	0.600

How to order



* Refer to page 244 for the explanation of the option.

Symbol		Descriptions	A Model no.				
			F1000	F3000	F4000	F6000	F8000
B Port size			Note 2				
6		Rc1/8	●				
8		Rc1/4	●	●	●		
10		Rc3/8		●	●		
15		Rc1/2			●		
20		Rc3/4				●	●
25		Rc1				●	●
C Option							
Drainage	Blank	With manual drain cock	●	●	●	●	●
	F	Automatic drain with manual override (NO type: Exhaust w/o pressurized)		●	●	●	●
	F1 ^{Note 1}	Automatic drain with manual override (NC type: No exhaust w/o pressurized)	●	●	●	●	●
	FF	Large auto. drain with manual override (NO type: Exhaust w/o pressurized)					●
	FF1	Large auto. drain with manual override (NC type: No exhaust w/o pressurized)					●
Bowl material	Blank	Polycarbonate bowl	●	●	●	●	●
	Z	Nylon bowl	●	●	●	●	●
	M	Metal bowl		●	●	●	●
Element	Blank	5 μm	●	●	●	●	●
	Y	0.3 μm (submicron)		●	●	●	●
Differential pressure detection	Blank	Without differential pressure detection port	●	●	●	●	●
	Q	With differential pressure detection port (Rc1/4)				●	●
Flow direction	Blank	Standard flow (left → right)	●	●	●	●	●
	X1	Reverse flow (right → left)	●	●	●	●	●
D Piping adapter set (attached) Pages 456, 457							
Blank		Not attached	●	●	●	●	●
A6W		Rc1/8 piping adapter set	●				
A8W		Rc1/4 piping adapter set	●	●	●		
A10W		Rc3/8 piping adapter set	●	●	●		
A15W		Rc1/2 piping adapter set		●	●		
A20W		Rc3/4 piping adapter set			●	●	●
A25W		Rc1 piping adapter set				●	●
A32W		Rc1 1/4 piping adapter set				●	●
E Bracket (attached) Page 454							
Blank		Not attached	●	●	●	●	●
BW		C type bracket	●	●	●	●	●

⚠ Note on model no. selection

Note 1: F1000-W-F1 is custom order.
 Note 2: F6000-W is custom order.

Refer to F.R.L. unit Standard type on page 316, for internal structure and dimensions.

Refrigerating type dryer
Desiccant type dryer
High polymer membrane dryer
Air filter
Auto. drain / others
F.R.L. (Module unit)
F.R.L. (Separate)
Compact F.R.
Precise regulator
F.R.L. (Related products)
Clean F.R.
Electro pneumatic regulator
Air booster
Speed control valve
Silencer
Check valve / others
Joint / tube
Vacuum filter
Vacuum regulator
Suction plate
Magnetic spring buffer
Mechanical pressure SW
Electronic pressure SW
Contact / close contact cont. SW
Air sensor
Pressure SW for coolant
Small flow sensor
Small flow controller
Flow sensor for air
Flow sensor for water
Total air system
Total air system (Gamma)

Standard white Series
F.R.L. unit

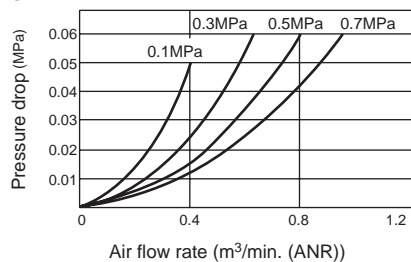
Ending

Air Filter Series

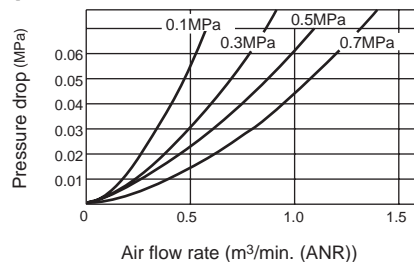
Flow characteristic

Refrigerating type dryer
Desiccant type dryer
High polymer membrane dryer
Air filter
Auto. drain / others
F.R.L. (Module unit)
F.R.L. (Separate)
Compact F.R.
Precise regulator
F.R.L. (Related products)
Clean F.R.
Electro pneumatic regulator
Air booster
Speed control valve
Silencer
Check valve / others
Joint / tube
Vacuum filter
Vacuum regulator
Suction plate
Magnetic spring buffer
Mechanical pressure SW
Electronic pressure SW
Contact / close contact conf. SW
Air sensor
Pressure SW for coolant
Small flow sensor
Small flow controller
Flow sensor for air
Flow sensor for water
Total air system
Total air system (Gamma)
Ending

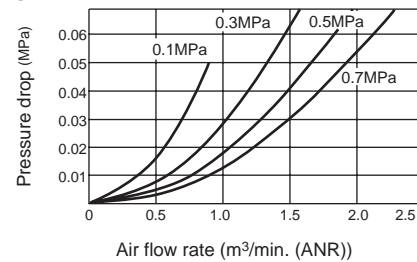
● F1000-6-W



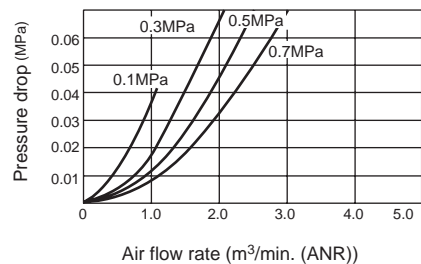
● F1000-8-W



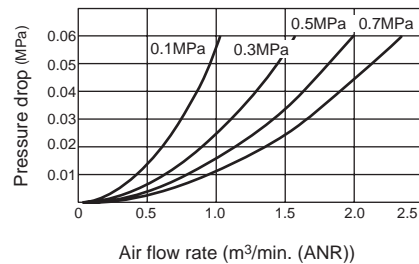
● F3000-8-W



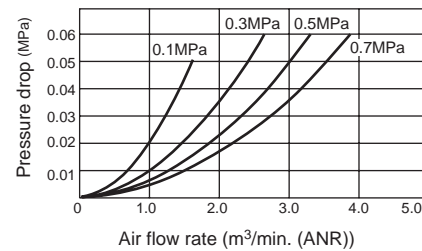
● F3000-10-W



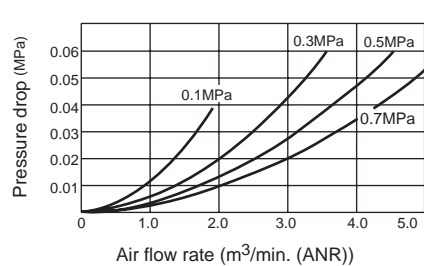
● F4000-8-W



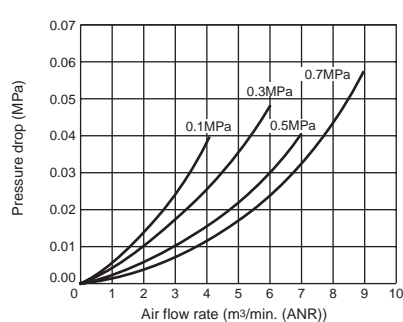
● F4000-10-W



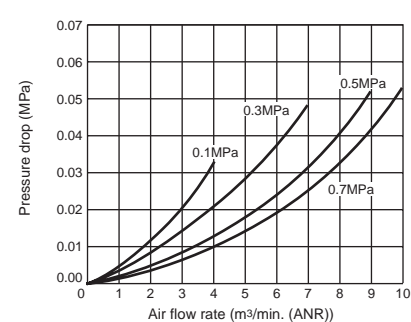
● F4000-15-W



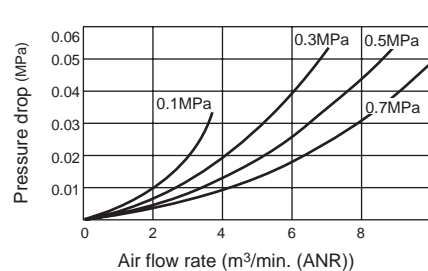
● F6000-20-W



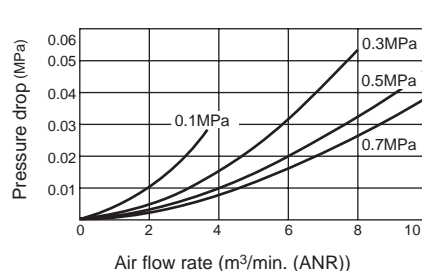
● F6000-25-W



● F8000-20-W

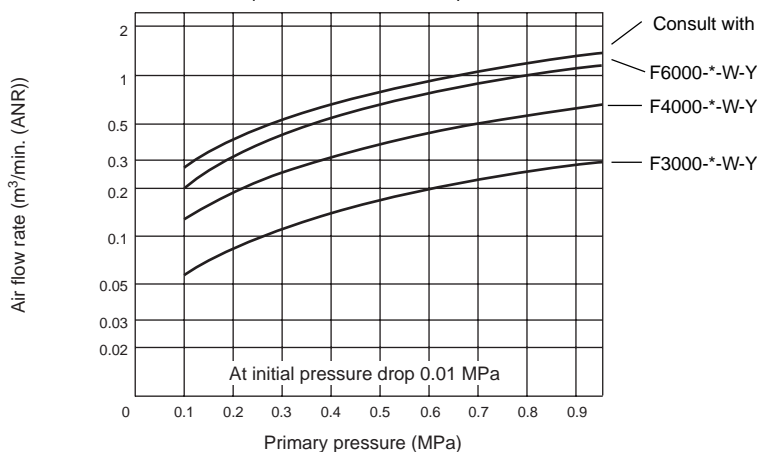


● F8000-25-W



- F3000
- F4000.*-W-Y (0.3 μ m element)
- F6000
- F8000

(Maximum flow rate)



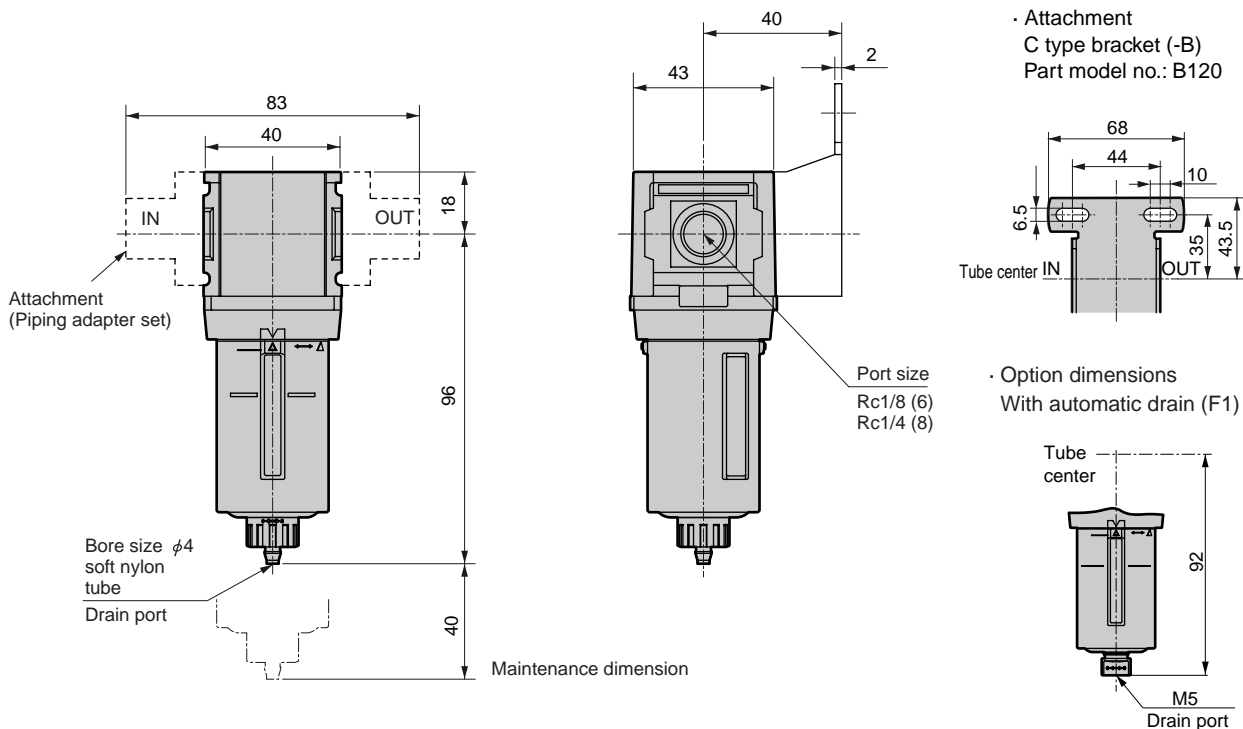
Air Filter Series

Dimensions

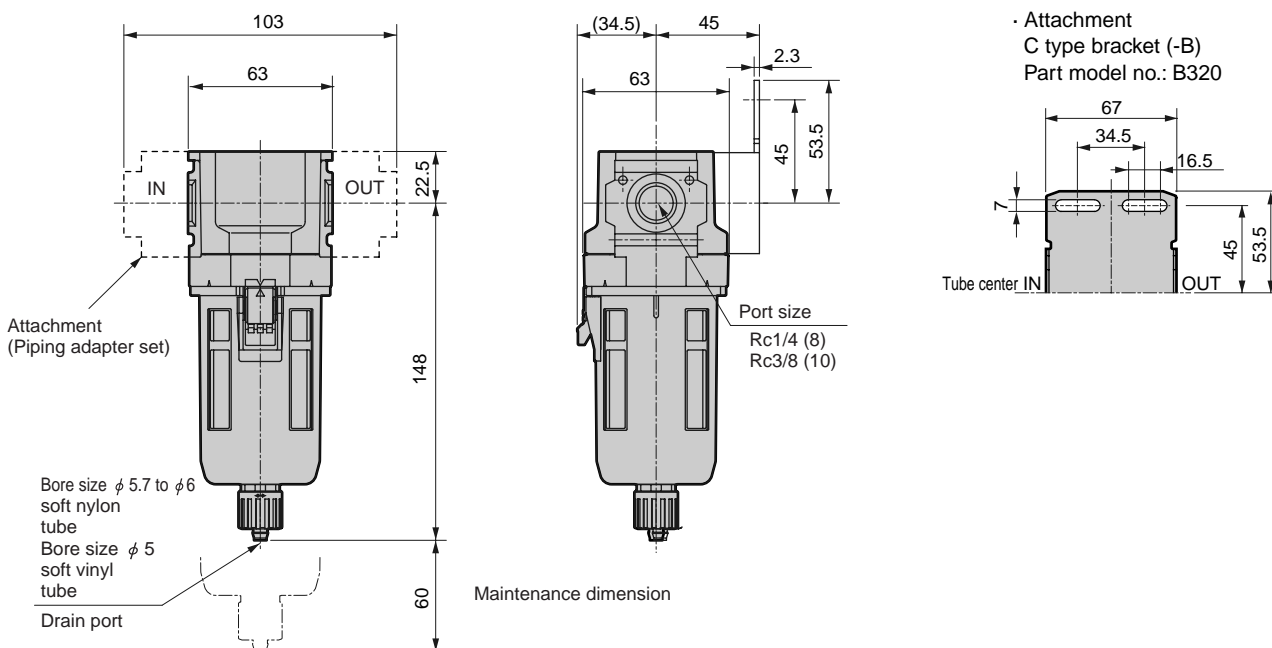


Refrigerating type dryer
Desiccant type dryer
High polymer membrane dryer
Air filter
Auto. drain / others
F.R.L. (Module unit)
F.R.L. (Separate)
Compact F.R.
Precise regulator
F.R.L. (Related products)
Clean F.R.
Electro pneumatic regulator
Air booster
Speed control valve
Silencer
Check valve / others
Joint / tube
Vacuum filter
Vacuum regulator
Suction plate
Magnetic spring buffer
Mechanical pressure SW
Electronic pressure SW
Contact / close contact conf. SW
Air sensor
Pressure SW for coolant
Small flow sensor
Small flow controller
Flow sensor for air
Flow sensor for water
Total air system
Total air system (Gamma)
Ending

● F1000



● F3000



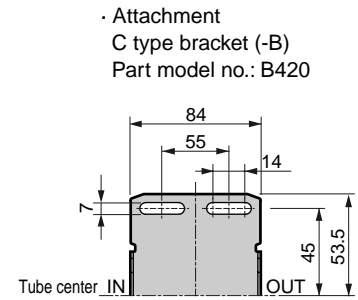
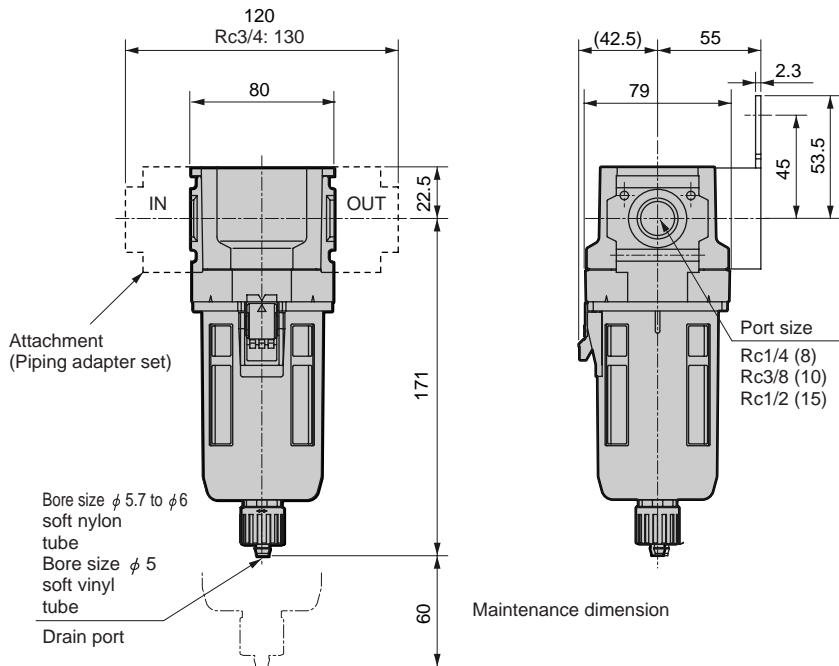
● For the plastic bowl, the dimensions are the same regardless of whether the manual cock or automatic drain is installed.

Note: The C-type bracket and piping adapter set attachments cannot be used at the same time.

Dimensions

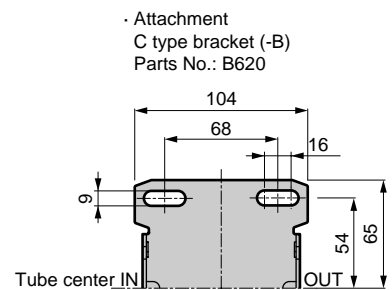
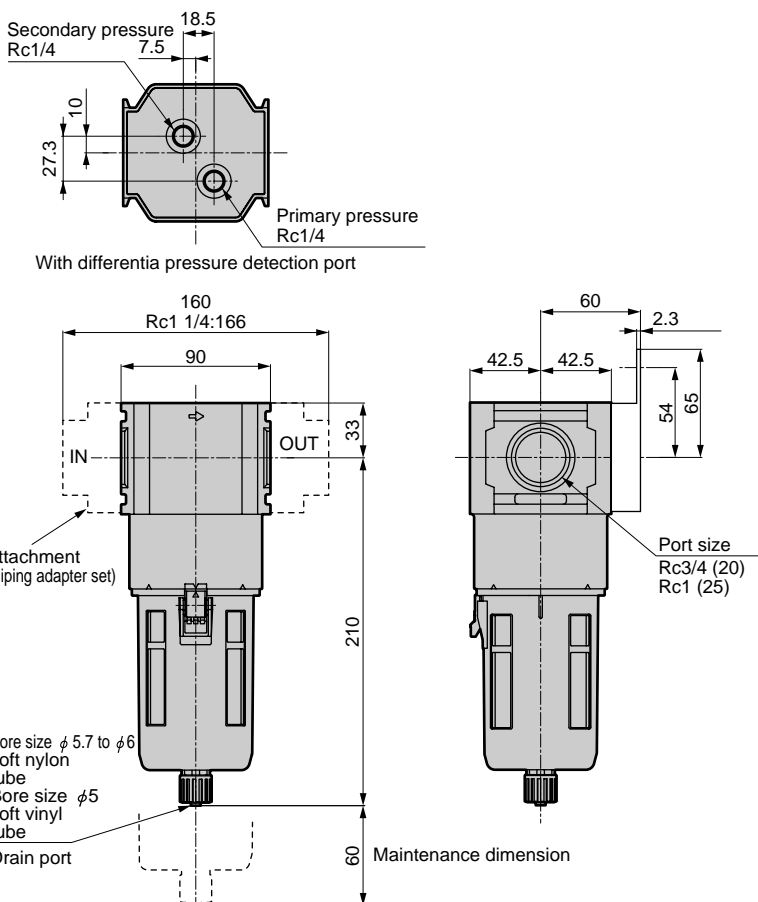


● F4000



● For the plastic bowl, the dimensions of the manual cock and the automatic drain are same.

● F6000



Refrigerating type dryer
Desiccant type dryer
High polymer membrane dryer
Air filter
Auto. drain / others
F.R.L. (Module unit)
F.R.L. (Separate)
Compact F.R.
Precise regulator
F.R.L. (Related products)
Clean F.R.
Electro pneumatic regulator
Air booster
Speed control valve
Silencer
Check valve / others
Joint / tube
Vacuum filter
Vacuum regulator
Suction plate
Magnetic spring buffer
Mechanical pressure SW
Electronic pressure SW
Contact / close contact cont. SW
Air sensor
Pressure SW for coolant
Small flow sensor
Small flow controller
Flow sensor for air
Flow sensor for water
Total air system
Total air system (Gamma)

Ending

Standard Series
F.R.L. unit

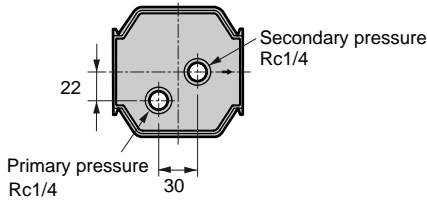
Air Filter Series

Dimensions

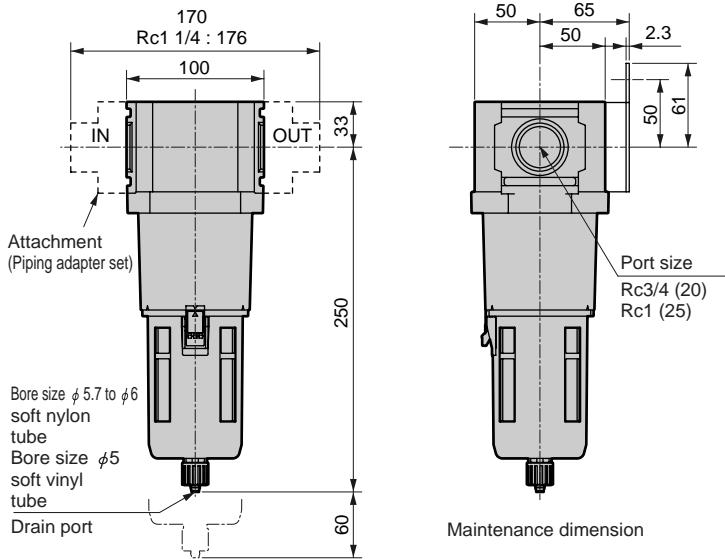
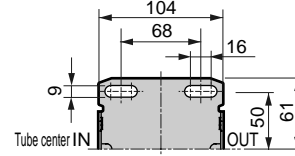


● F8000

With differential pressure detection port (Q)



· Attachment
C type bracket (-B)
Part model no.: B820



● For the plastic bowl, the dimensions of the manual cock and the automatic drain are same.

Note: The C-type bracket and piping adapter set attachments cannot be used at the same time.

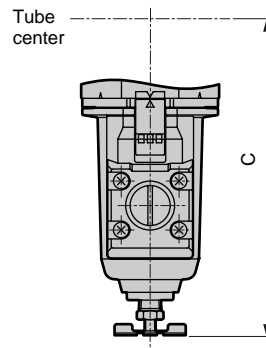
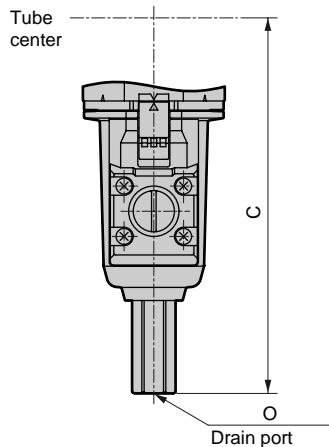
Optional dimensions



● Metal bowl F3000/F4000/F6000/F8000 (option)

With automatic drain (FM, F1M)

Manual drain cock (M)

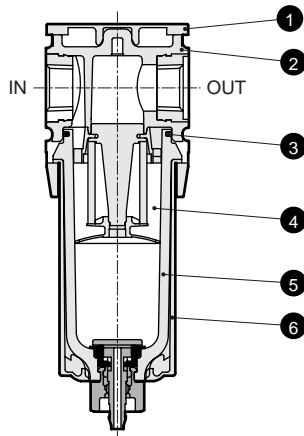


Dimensions

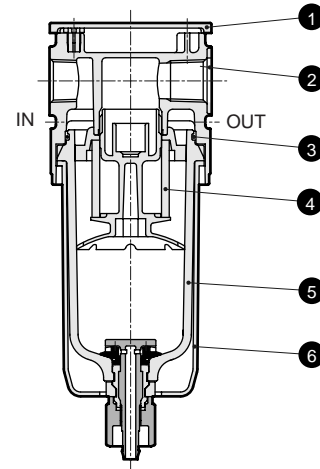
	With automatic drain		Manual cock
	C	O	C
F3000	164	Rc1/4	143.5
F4000	187	Rc1/4	166.5
F6000	226	Rc1/4	205
F8000	266	Rc1/4	245.5

Internal structure and parts list

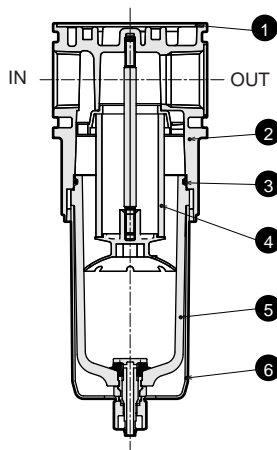
● F1000



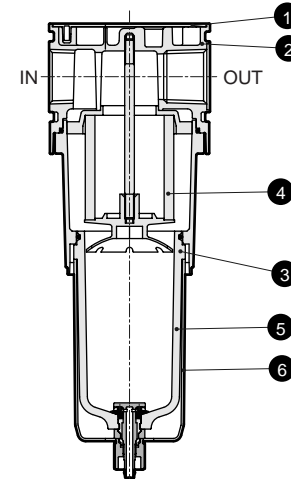
● F3000/F4000



● F6000



● F8000



No.	Parts name	Material				
		F1000	F3000	F4000	F6000	F8000
1	Plate cover	ABS resin				
2	Body	Polyamide resin, steel	Aluminium alloy die-casting			
3	O ring <small>Note 1</small>	Special nitrile rubber				
4	Element (5 μm) <small>Note 2</small>	Polyacetal resin	Polypropylene			
	Element (0.3 μm)	Polypropylene				
5	Bowl assembly	Polycarbonate resin, polyacetal resin, urethane resin				
6	Bowl guard	Polyamide resin	Polyamide resin, steel			

Note 1: O-ring of F1000 is special shaped.

Note 2: F1000 is element assembly.

Note 3: Refer to page 324 for repair kits.

Refrigerating type dryer
Desiccant type dryer
High polymer membrane dryer
Air filter
Auto. drain / others
F.R.L. (Module unit)
F.R.L. (Separate)
Compact F.R.
Precise regulator
F.R.L. (Related products)
Clean F.R.
Electro pneumatic regulator
Air booster
Speed control valve
Silencer
Check valve / others
Joint / tube
Vacuum filter
Vacuum regulator
Suction plate
Magnetic spring buffer
Mechanical pressure SW
Electronic pressure SW
Contact / close contact cont. SW
Air sensor
Pressure SW for coolant
Small flow sensor
Small flow controller
Flow sensor for air
Flow sensor for water
Total air system
Total air system (Gamma)
Ending

Standard Series
F.R.L. unit