

Regulator standard white Series

R1000/R2000/R3000 R4000/R6000/R8000-W Series

Compact, pressure gauge embedded.

Port size: 1/8 to 1

JIS symbol



Specifications

Descriptions	R1000-W	R2000-W	R3000-W	R4000-W	R6000-W	R8000-W
Working fluid	Compressed air					
Max. working pressure MPa	1.0					
Withstanding pressure MPa	1.5					
Ambient temperature range °C	5 to 60					
Set pressure range MPa	0.05 to 0.85					
Relief	With relief mechanism					
Port size Rc	1/8, 1/4 (3/8 uses an adapter)	1/4, 3/8 (1/2 uses an adapter)	1/4, 3/8 (1/2 uses an adapter)	1/4, 3/8, 1/2 (3/4 uses an adapter)	3/4, 1 (1 1/4 uses an adapter)	3/4, 1 (1 1/4 uses an adapter)
Product weight kg	0.16	0.29	0.45	0.7	1.0	1.6
Standard accessories	Pressure gauge, nut for panel mount					Pressure gauge

Note 1: The working temperature range of the pressure switch with indicator PPD assembly "R1" is 5 to 50 °C

Ozone specifications (Ending 12)

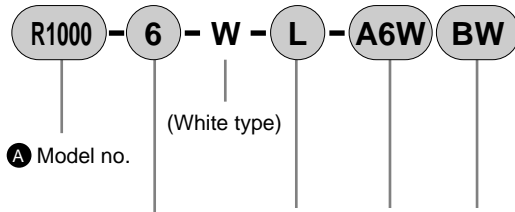
R*000 P11

Clean room specifications (catalog No. CB-033SA)

● Dust generation preventing structure for use in cleanrooms

R*000 P7*

How to order



* Refer to page 244 for the explanation of the option.

A Model no.					
R1000	R2000	R3000	R4000	R6000	R8000

Symbol	Descriptions						
B Port size							
6	Rc1/8	●					
8	Rc1/4	●	●				
10	Rc3/8		●	●			
15	Rc1/2				●		
20	Rc3/4					●	●
25	Rc1					●	●

C Option								
Pressure range	Blank	0.05 to 0.85MPa	●	●	●	●	●	●
	L	0.05 to 0.35MPa	●	●	●	●	●	●
Relief	Blank	With relief mechanism	●	●	●	●	●	●
	N	Nonrelief type	●	●	●	●	●	●
Pressure gauge	Blank	With standard pressure gauge (G401)	●	●	●	●	●	●
	T	Without pressure gauge (gauge port is assembled with sealed)	●	●	●	●	●	●
	T8	Round shaped pressure gauge attached (pressure gauge port is assembled by open)	●	●	●	●	●	●
	R1 Note 2	Pressure switch with display PPD assembly	●	●	●	●	●	●
Flow direction	Blank	Standard flow (left → right)	●	●	●	●	●	●
	X1	Reverse flow (right → left)	●	●	●	●	●	●

D Piping adapter set (attached)		Pages 456, 457					
Blank	Not attached	●	●	●	●	●	●
A6W	Rc1/8 piping adapter set	●					
A8W	Rc1/4 piping adapter set	●	●	●	●		
A10W	Rc3/8 piping adapter set	●	●	●	●		
A15W	Rc1/2 piping adapter set		●	●	●		
A20W	Rc3/4 piping adapter set				●	●	●
A25W	Rc1 piping adapter set					●	●
A32W	Rc1 1/4 piping adapter set					●	●

E Attachment (attached)		Pages 454, 687					
Blank	Not attached	●	●	●	●	●	●
BW	C type bracket	●	●	●	●	●	●
B3W	L type bracket	●	●	●	●		
B4W	B type bracket		●				
G49P	Pressure gauge: G49D-8-P10	●	●	●	●	●	●
G59P	Pressure gauge: G59D-8-P10	●	●	●	●	●	●
G40P	Pressure gauge: G40D-8-P10	●	●	●	●	●	●
G50P	Pressure gauge: G50D-8-P10	●	●	●	●	●	●
G41P	Pressure gauge: G41D-8-P10	●	●	●	●	●	●

⚠ Note on model no. selection

Note 1: R6000-W is custom order.
 Note 2: R1 pressure switch with indicator is black.

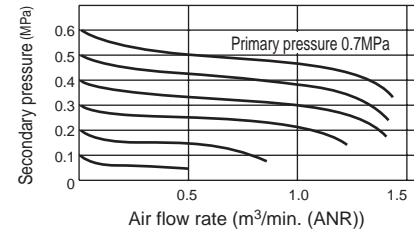
Refrigerating type dryer
Desiccant type dryer
High polymer membrane dryer
Air filter
Auto. drain / others
F.R.L. (Module unit)
F.R.L. (Separate)
Compact F.R.
Precise regulator
F.R.L. (Related products)
Clean F.R.
Electro pneumatic regulator
Air booster
Speed control valve
Silencer
Check valve / others
Joint / tube
Vacuum filter
Vacuum regulator
Suction plate
Magnetic spring buffer
Mechanical pressure SW
Electronic pressure SW
Contact / close contact cont. SW
Air sensor
Pressure SW for coolant
Small flow sensor
Small flow controller
Flow sensor for air
Flow sensor for water
Total air system
Total air system (Gamma)
Ending

Refer to F.R.L. unit Standard type on page 344, for internal structure and dimensions (except R2000).

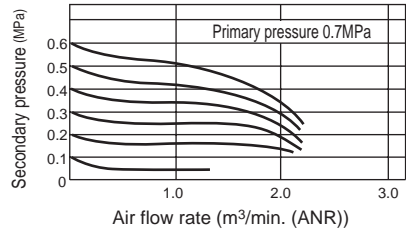
Standard white Series
F.R.L. unit

Flow characteristic

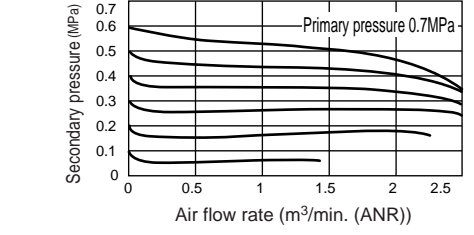
● R1000-6-W



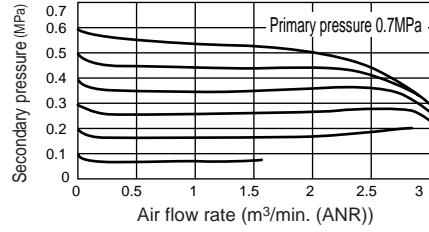
● R1000-8-W



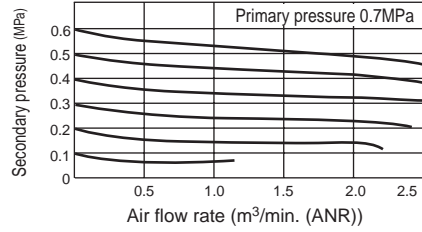
● R2000-8-W



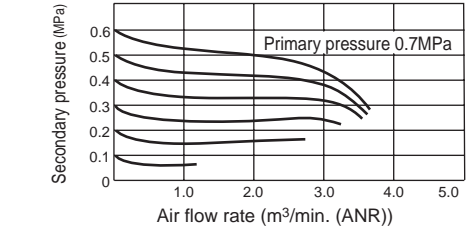
● R2000-10-W



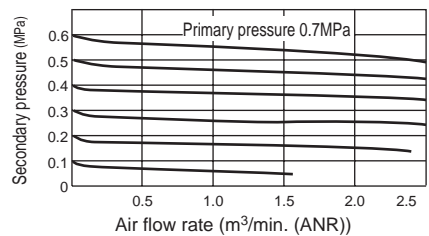
● R3000-8-W



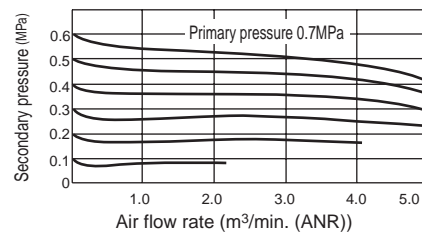
● R3000-10-W



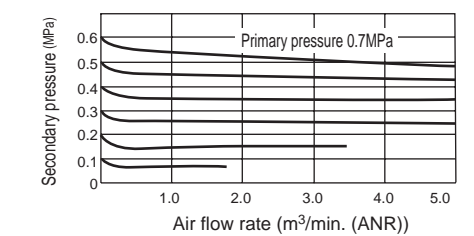
● R4000-8-W



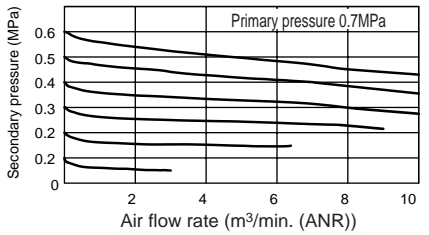
● R4000-10-W



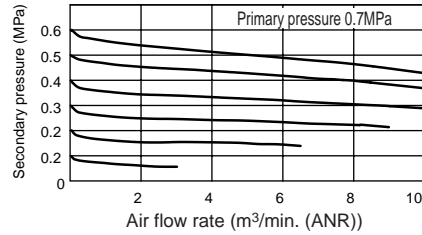
● R4000-15-W



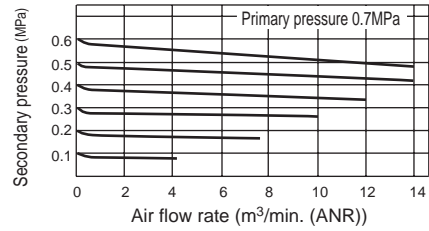
● R6000-20-W



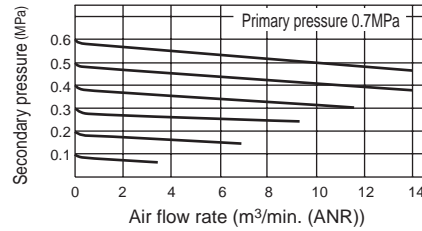
● R6000-25-W



● R8000-20-W

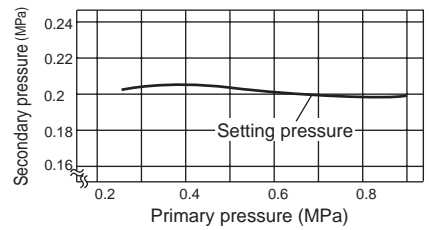


● R8000-25-W

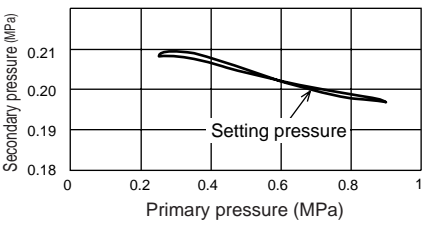


Pressure characteristic

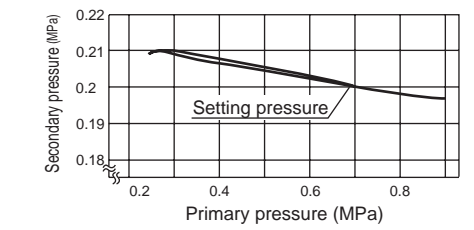
● R1000-W



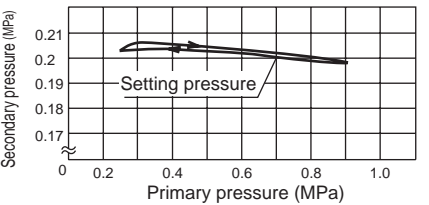
● R2000-W



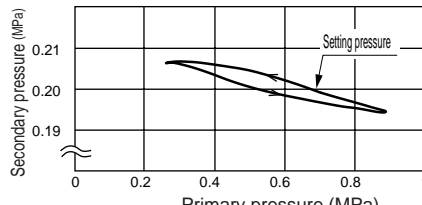
● R3000-W



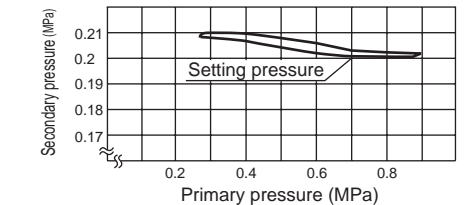
● R4000-W



● R6000-W



● R8000-W



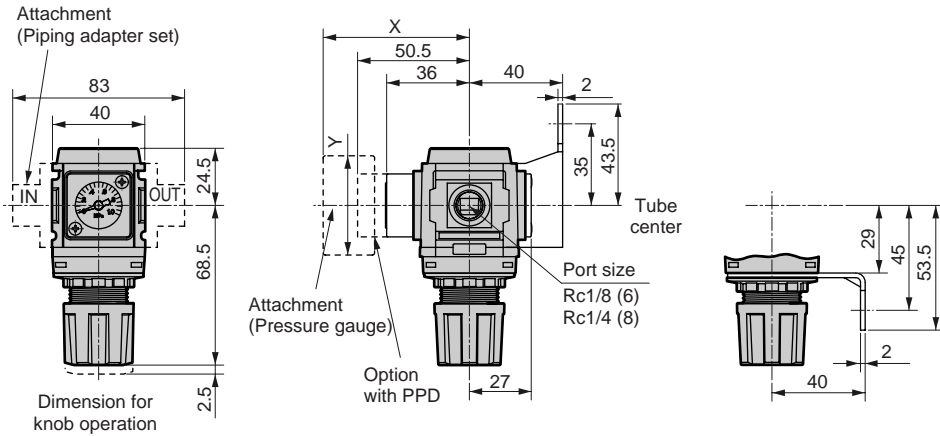
Refrigerating type dryer
Desiccant type dryer
High polymer membrane dryer
Air filter
Auto. drain / others
F.R.L. (Module unit)
F.R.L. (Separate)
Compact F.R.
Precise regulator
F.R.L. (Related products)
Clean F.R.
Electro pneumatic regulator
Air booster
Speed control valve
Silencer
Check valve / others
Joint / tube
Vacuum filter
Vacuum regulator
Suction plate
Magnetic spring buffer
Mechanical pressure SW
Electronic pressure SW
Contact / close contact conf. SW
Air sensor
Pressure SW for coolant
Small flow sensor
Small flow controller
Flow sensor for air
Flow sensor for water
Total air system
Total air system (Gamma)
Ending

Regulator series

Dimensions

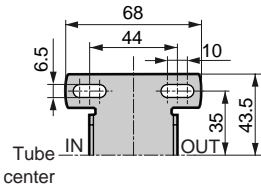


● R1000

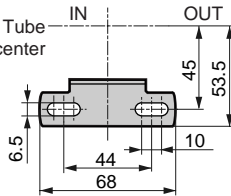


• Attachment

C type bracket (-B)
Part model no.: B120



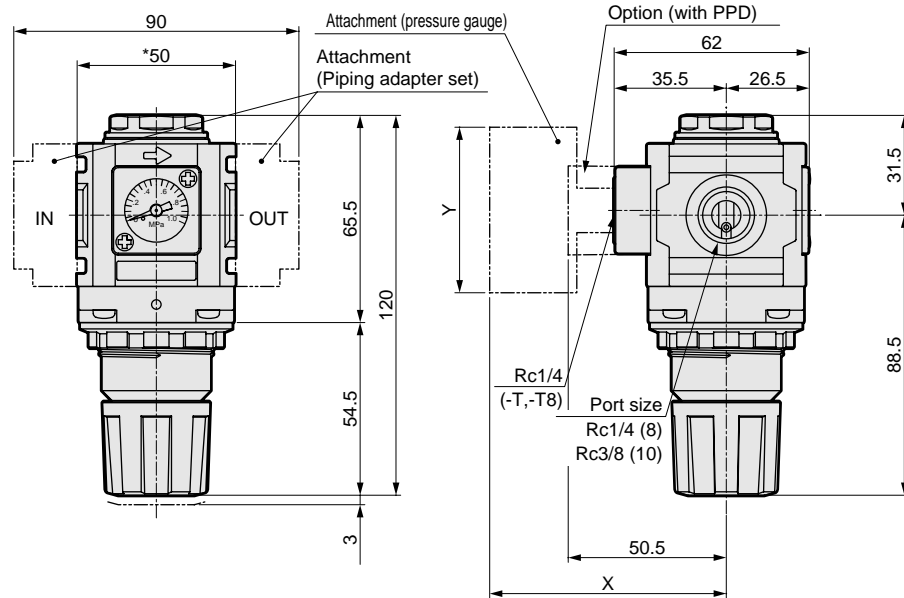
L type bracket (-B3)
Part model no.: B130



Pressure gauge attached optional dimensions table

Attached pressure gauge	X	Y
G49P	(73.5)	φ 43.5
G59P	(76)	φ 52
G40P	(75.5)	φ 42.5
G50P	(75.5)	φ 52.5
G41P	(74)	φ 42
G52P	(86)	φ 52.5

● R2000-W

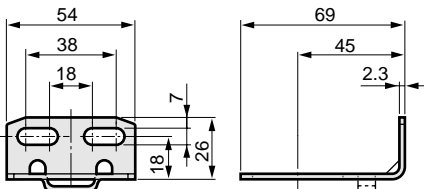


Pressure gauge optional dimensions table

Attached pressure gauge	X	Y
G49P	(73)	φ 43.5
G59P	(75.5)	φ 52
G40P	(75)	φ 42.5
G50P	(75)	φ 52.5
G41P	(73.5)	φ 42
G52P	(85.5)	φ 52.5

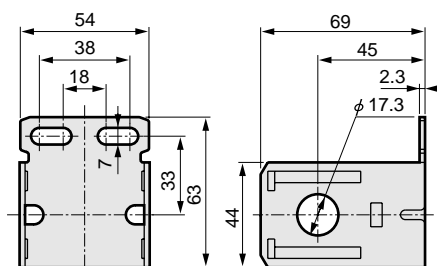
● L type bracket (-B3W)

Part model no.: B230-W



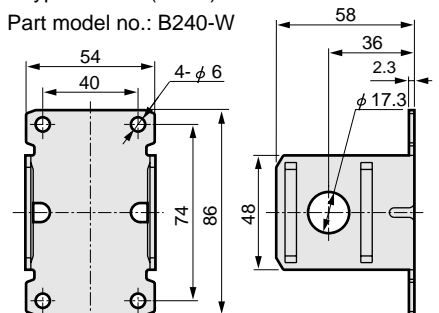
● C type bracket (-BW)

Part model no.: B220-W



● B type bracket (-B4W)

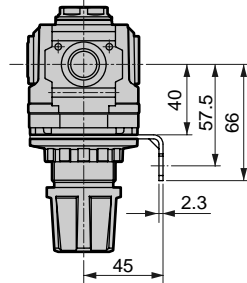
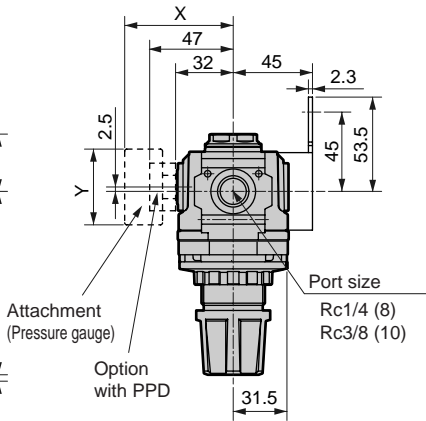
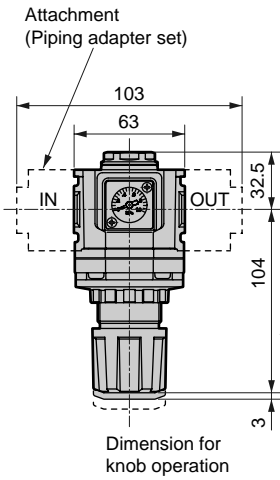
Part model no.: B240-W



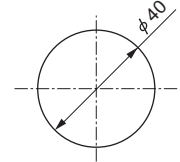
Dimensions



● R3000



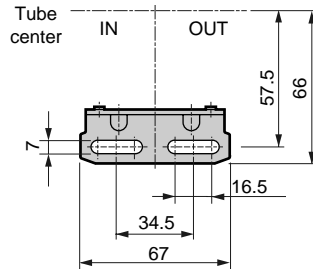
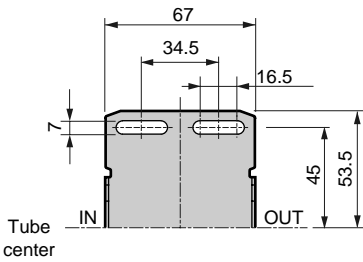
Panel cut dimension



Panel plate thickness: Max. 7mm

· Attachment (C type bracket)
C type bracket (-B)
Part model no.: B320

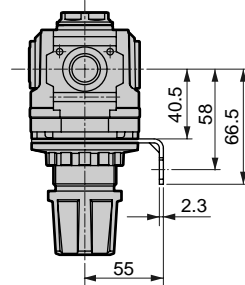
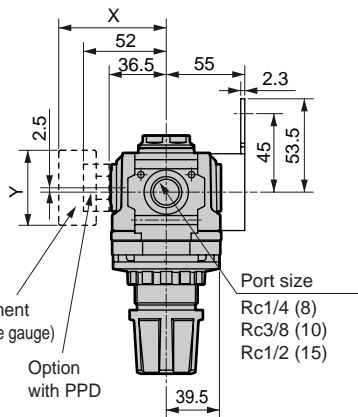
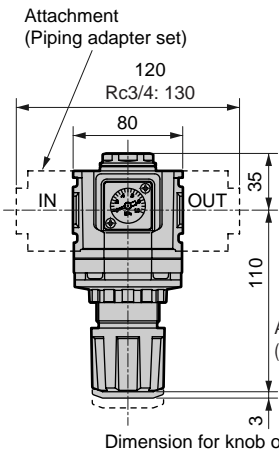
L type bracket (-B3)
Part model no.: B330



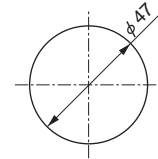
Pressure gauge attached optional dimensions table

Attached pressure gauge	X	Y
G49P	(69.5)	φ 43.5
G59P	(72)	φ 52
G40P	(71.5)	φ 42.5
G50P	(71.5)	φ 52.5
G41P	(70)	φ 42
G52P	(82)	φ 52.5

● R4000



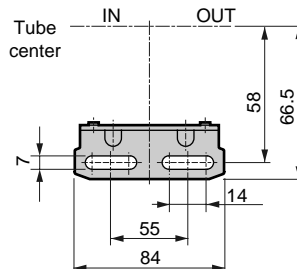
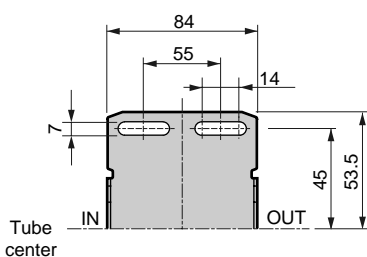
Panel cut dimension



Panel plate thickness: Max. 7mm

· Attachment
C type bracket (-B)
Part model no.: B420

L type bracket (-B3)
Part model no.: B430



Pressure gauge attached optional dimensions table

Attached pressure gauge	X	Y
G49P	(74.5)	φ 43.5
G59P	(77)	φ 52
G40P	(76.5)	φ 42.5
G50P	(76.5)	φ 52.5
G41P	(75)	φ 42
G52P	(86)	φ 52.5

Refrigerating type dryer
Desiccant type dryer
High polymer membrane dryer
Air filter
Auto. drain / others
F.R.L. (Module unit)
F.R.L. (Separate)
Compact F.R.
Precise regulator
F.R.L. (Related products)
Clean F.R.
Electro pneumatic regulator
Air booster
Speed control valve
Silencer
Check valve / others
Joint / tube
Vacuum filter
Vacuum regulator
Suction plate
Magnetic spring buffer
Mechanical pressure SW
Electronic pressure SW
Contact / close contact cont. SW
Air sensor
Pressure SW for coolant
Small flow sensor
Small flow controller
Flow sensor for air
Flow sensor for water
Total air system
Total air system (Gamma)

Ending

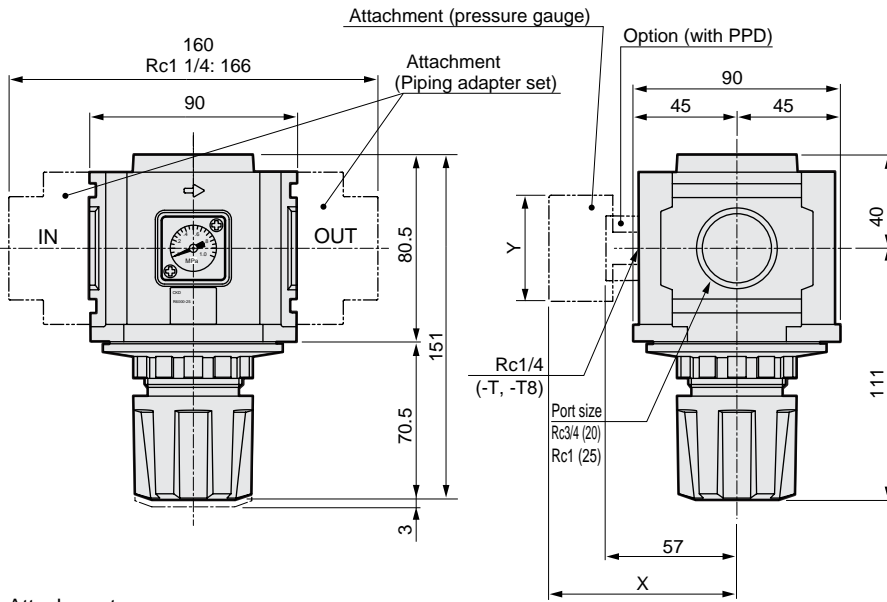
Standard Series
F.R.L. unit

Regulator Series

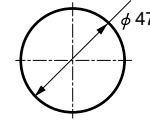
Dimensions



● R6000



Panel cut dimension

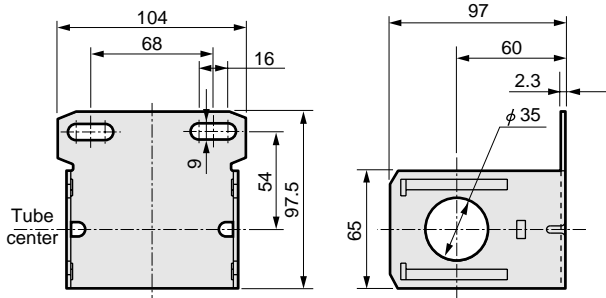


Pressure gauge attached optional dimensions table

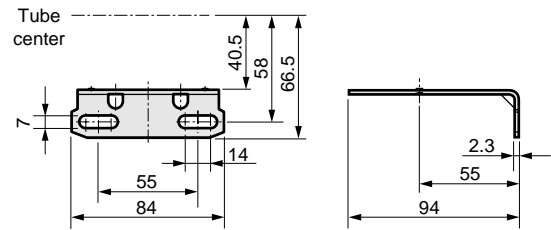
Attached pressure gauge	X	Y
G49P	(79.5)	φ 43.5
G59P	(82)	φ 52
G40P	(81.5)	φ 42.5
G50P	(81.5)	φ 52.5
G41P	(80)	φ 42
G52P	(93)	φ 52.5

• Attachment

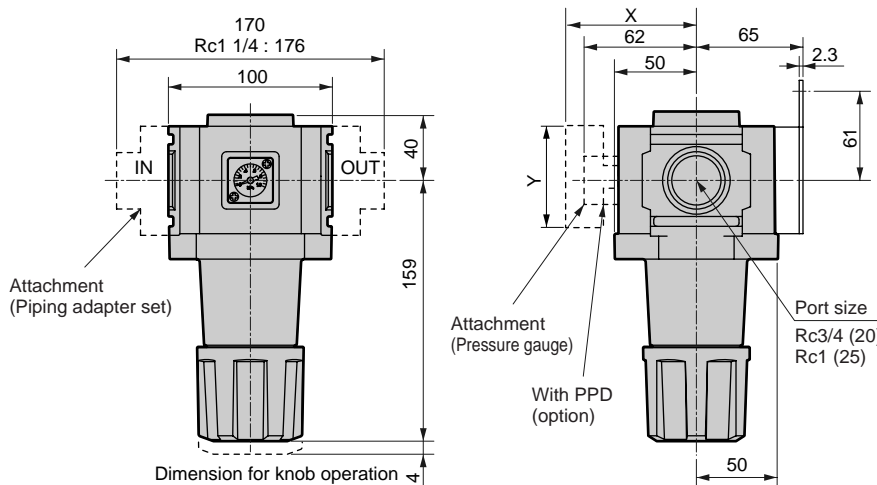
C type bracket (-B)
Part model no.: B620



L type bracket (-B3)
Part model no.: B430

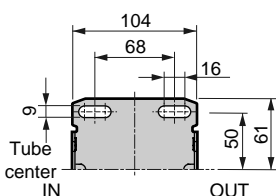


● R8000



• Attachment

C type bracket (-B)
Part model no.: B820

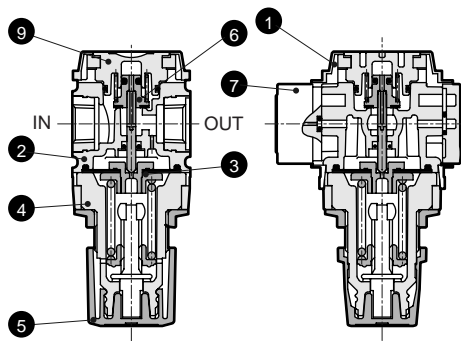


Pressure gauge attached optional dimensions table

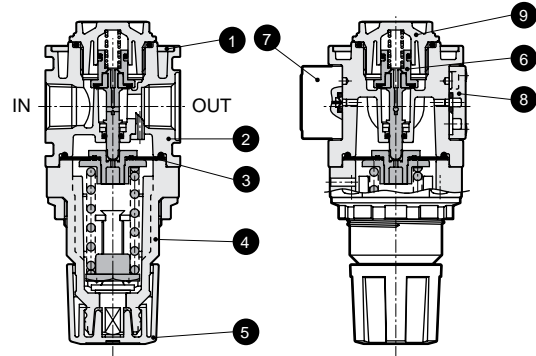
Attached pressure gauge	X	Y
G49P	(84.5)	φ 43.5
G59P	(87)	φ 52
G40P	(86.5)	φ 42.5
G50P	(86.5)	φ 52.5
G41P	(85)	φ 42
G52P	(90)	φ 52.5

Internal structure and parts list

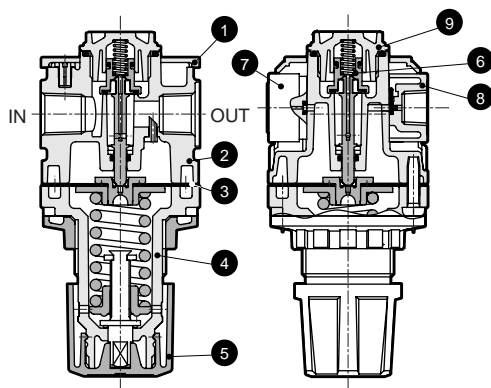
● R1000



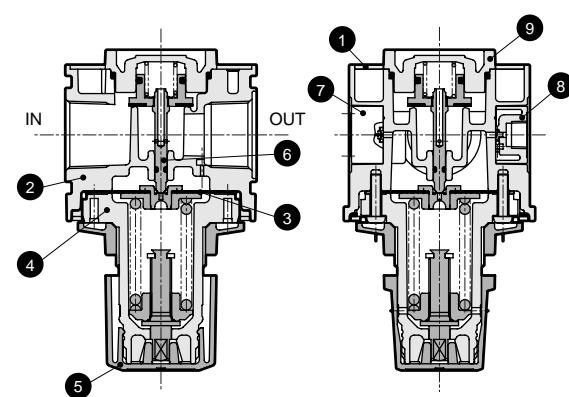
● R2000-W



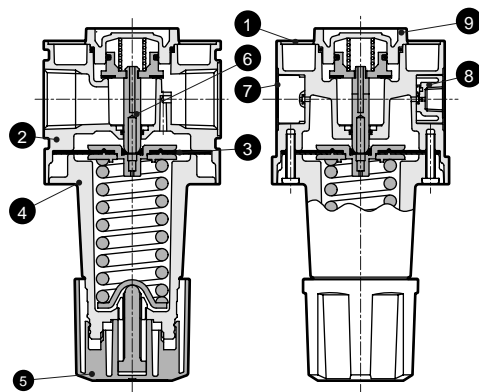
● R3000/R4000



● R6000



● R8000



Refrigerating type dryer
Desiccant type dryer
High polymer membrane dryer
Air filter
Auto. drain / others
F.R.L. (Module unit)
F.R.L. (Separate)
Compact F.R.
Precise regulator
F.R.L. (Related products)
Clean F.R.
Electro pneumatic regulator
Air booster
Speed control valve
Silencer
Check valve / others
Joint / tube
Vacuum filter
Vacuum regulator
Suction plate
Magnetic spring buffer
Mechanical pressure SW
Electronic pressure SW
Contact / close contact cont. SW
Air sensor
Pressure SW for coolant
Small flow sensor
Small flow controller
Flow sensor for air
Flow sensor for water
Total air system
Total air system (Gamma)

No.	Parts name	Material					
		R1000	R2000	R3000	R4000	R6000	R8000
1	Palate cover	ABS resin					
2	Body	Polyamide resin, steel	Aluminium alloy die-casting	Aluminium alloy die-casting			
3	Diaphragm assembly	Polyacetal resin, nitrile rubber		Zinc alloy die-casting, nitrile rubber			Note 3
4	Cover	Polyamide resin	PBT resin				Aluminium alloy die-casting
5	Knob	Polyacetal resin					
6	Valve assembly	Brass, hydrogen nitrile rubber (polyacetal resin: R2000, R3000, 4000, 8000)					
7	Pressure gauge assembly	PBT resin, nitrile rubber, polyacetal resin, polycarbonate resin, brass, steel					
8	Gage plug assembly	-	-	Polyamide resin, nitrile rubber, steel			
	Blanking plug assembly Note 1	PBT resin, nitrile rubber, copper		-	-	-	-
9	Bottom plug Note 4	Polyacetal resin			Aluminium alloy die-casting		

Note 1: A blank plug is enclosed with the R1000 standard type. If a gauge plug assembly type is required instead of a blanking plug, indicate R1000*-T1-*

Note 2: Refer to page 359 for repair parts.

Note 3: Aluminum is added for the R6000 low-pressure type.

Note 4: The material of RM3000 and RM4000 is aluminium die-casting.

Standard Series
F.R.L. unit

Ending