

Lubricator standard white Series

# L1000/L3000/L4000/L8000-W Series

Supply fine mist oil.

Port size: 1/8 to 1

JIS symbol



## Specifications

Descriptions	L1000-W	L3000-W	L4000-W	L8000-W
Appearance				
Working fluid	Compressed air			
Max. working pressure MPa	1.0			
Withstanding pressure MPa	1.5			
Working temperature °C	5 to 60			
Minimum drip flow Note 1 m <sup>3</sup> /min. (ANR)	0.015	0.03	0.065	0.065
Oil capacity cm <sup>3</sup>	20	85	170	170 (MAX360)
Use oil	Turbine oil Class 1 ISO VG32 (spindle oil can not be used)			
Port size Rc, NPT, G	1/8, 1/4 (3/8 uses an adapter)	1/4, 3/8 (1/2 uses an adapter)	1/4, 3/8, 1/2 (3/4 uses an adapter)	3/4, 1 (1 1/4 uses an adapter)
Product weight kg	0.1	0.28	0.45	1.4
Standard accessories	Bowl guard			

Note 1: The minimum drip flow is the rate at which five drops of turbine oil drip per minute at the primary pressure 0.5 MPa and inlet air temperature 20°C. (This cannot be used for dry fog.)

## Float switch electric specifications

Descriptions	
Control point	1 point
Operation	Switch turns off when float rises (oil level detected), and turns on when float lowers (no oil level detected)
Max. use voltage	240 VAC, 200 VDC
Max. contact capacitance	50 VA or 50 W, whichever is smaller
Max. open and close current	0.5A
Withstanding pressure between contacts	400 VDC for one minute, leak current 1mA or less
Contact resistance	220mΩ or less (between terminal sections)
Insulation resistance	100MΩ and over (between terminal and cases, 500 VDC megger)
Withstand voltage	1500 VAC for one minute (between terminal and cases)
Electric service life	10 <sup>6</sup> time (200 VAC, 200mA and resistance load)

### How to order

**L1000** - **6** - **W** - **C** - **A6W** - **G**

\* Refer to page 9 for explanation of an option.

**A** Model no.

**B** Port size

**C** Port thread type

**D** Option

**E** Display unit

**F** Piping adapter set (attached)

A Model no.			
L	L	L	L
1	3	4	8
0	0	0	0
0	0	0	0
0	0	0	0

**G** Bracket (attached)

Symbol	Descriptions				
<b>B Port size</b>					
6	1/8	●			
8	1/4	●	●	●	
10	3/8		●	●	
15	1/2			●	
20	3/4				●
25	1				●
<b>C Port thread type</b>					
<b>Note 1</b>					
Blank	Rc thread	●	●	●	●
N	NPT thread	●	●	●	●
G	G thread	●	●	●	●
<b>D Option</b>					
<b>Note 2</b>					
Drainage	Blank	Without manual cock	●	●	●
	C	With manual cock	●	●	●
	LL	With float switch		●	●
Bowl material	Blank	Polycarbonate bowl	●	●	●
	Z	Nylon bowl	●	●	●
	M	Metal bowl		●	●
Flow direction	Blank	Standard flow (left → right)	●	●	●
	X1	Reverse flow (right → left)	●	●	●
<b>E Display unit</b>					
Blank	MPa display, Rc thread	●	●	●	●
J1	MPa display, NPT, G thread	●	●	●	●
<b>F Piping adapter set (attached)</b>					
<b>Note 4 Pages 151 to 153</b>					
Blank	Not attached	●	●	●	●
A6*W	1/8 piping adapter set	●			
A8*W	1/4 piping adapter set	●	●	●	
A10*W	3/8 piping adapter set	●	●	●	
A15*W	1/2 piping adapter set		●	●	
A20*W	3/4 piping adapter set			●	●
A25*W	1 piping adapter set				●
A32*W	1 1/4 piping adapter set				●
<b>* Adaptor screw type</b>					
Blank	Rc thred	●	●	●	●
N	NPT thread	●	●	●	●
G	G thread	●	●	●	●
<b>G Bracket (attached)</b>					
Blank	Not attached	●	●	●	●
BW	C type bracket	●	●	●	●

### ⚠ Note on model no. selection

- Note 1: When G threads or NPT threads are selected, the IN and OUT are available.
- Note 2: When selecting options for several items, list options in order from the top.
- Note 3: The adjusting dome is made of polycarbonate for a nylon bowl or metal bowl. Consult with CKD if different material is required.
- Note 4: The piping adapter set and C type bracket cannot be used together.

### Drainage and bowl material combination (Item D in How to Order)

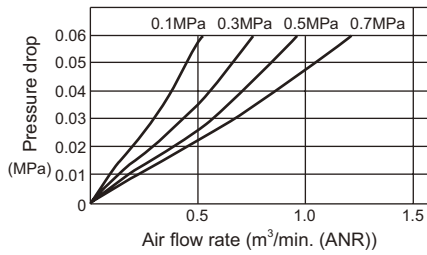
Option ● With float switch

3000/4000/8000 Series			
Shape			
Material	Plastic bowl		Metal bowl
	Polycarbonate	Nylon	Aluminum
Lubricator L*000-W	LL	LLZ	LLM

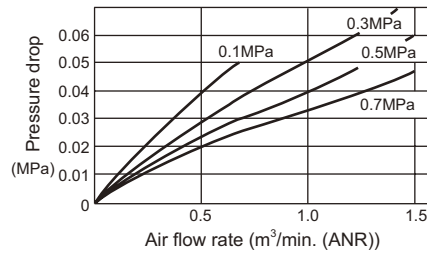
# Lubricator Series

## Flow characteristics

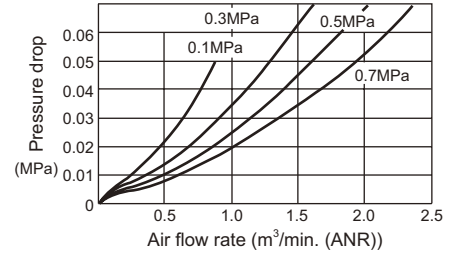
● L1000-6-W



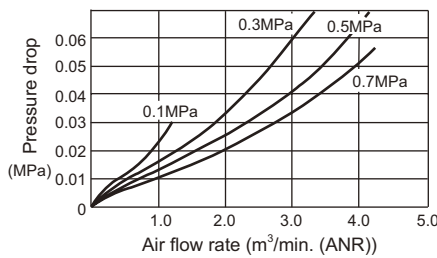
● L1000-8-W



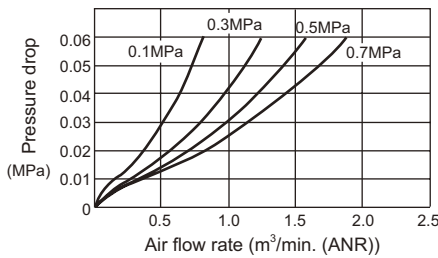
● L3000-8-W



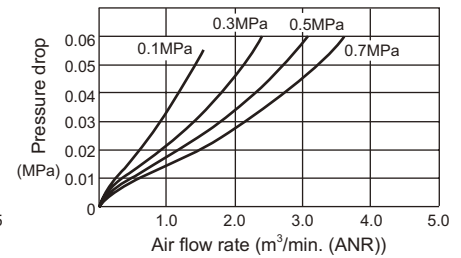
● L3000-10-W



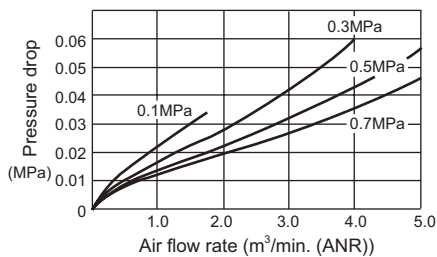
● L4000-8-W



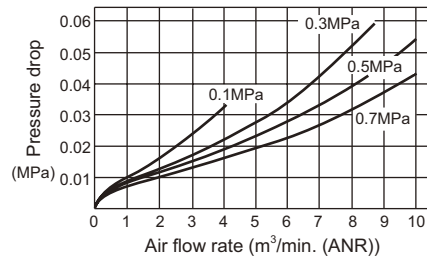
● L4000-10-W



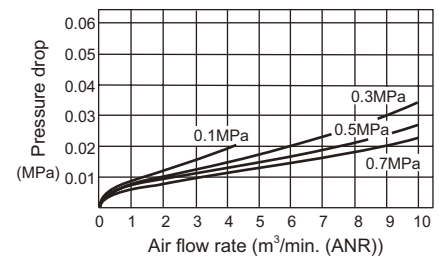
● L4000-15-W



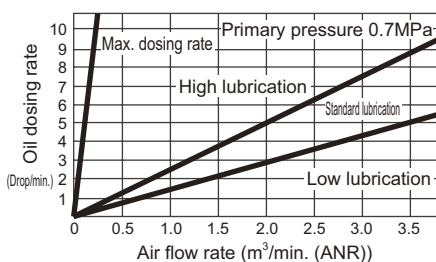
● L8000-20-W



● L8000-25-W

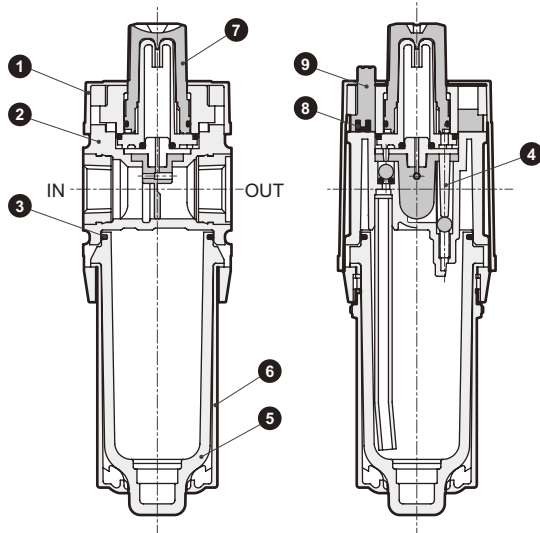


## Oil dosing rate

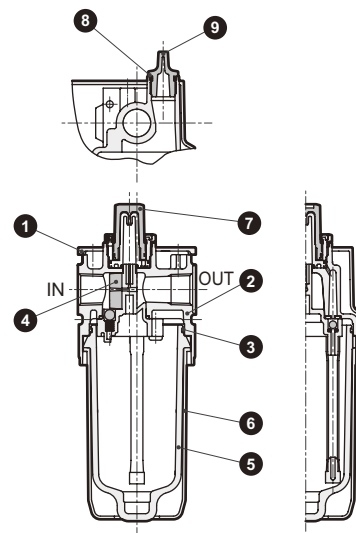


## Internal structure and parts list

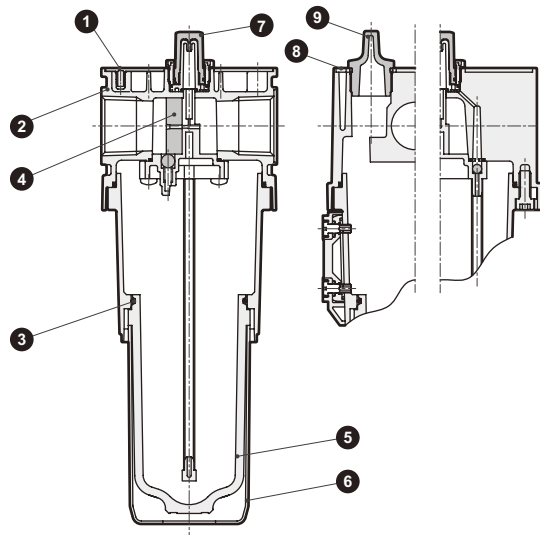
### ● L1000-W



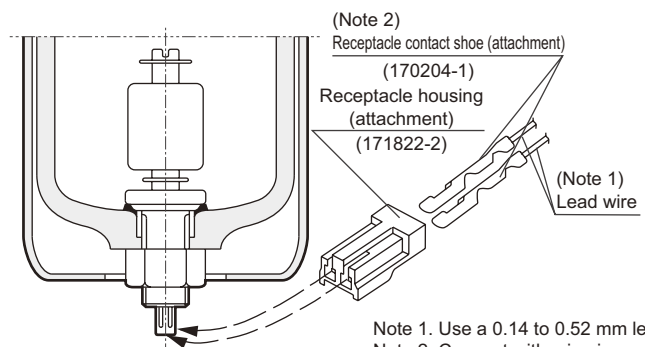
### ● L3000-W/L4000-W



### ● L8000-W



### ● Option float switch



Note 1. Use a 0.14 to 0.52 mm lead.  
Note 2: Connect with crimping or soldering.

A Japan AMP post header (part No. AMP171825-2) is used for the terminal.  
Use an AMP171822-2 (standard) or AMP172142-2 (rope file) for the connector.

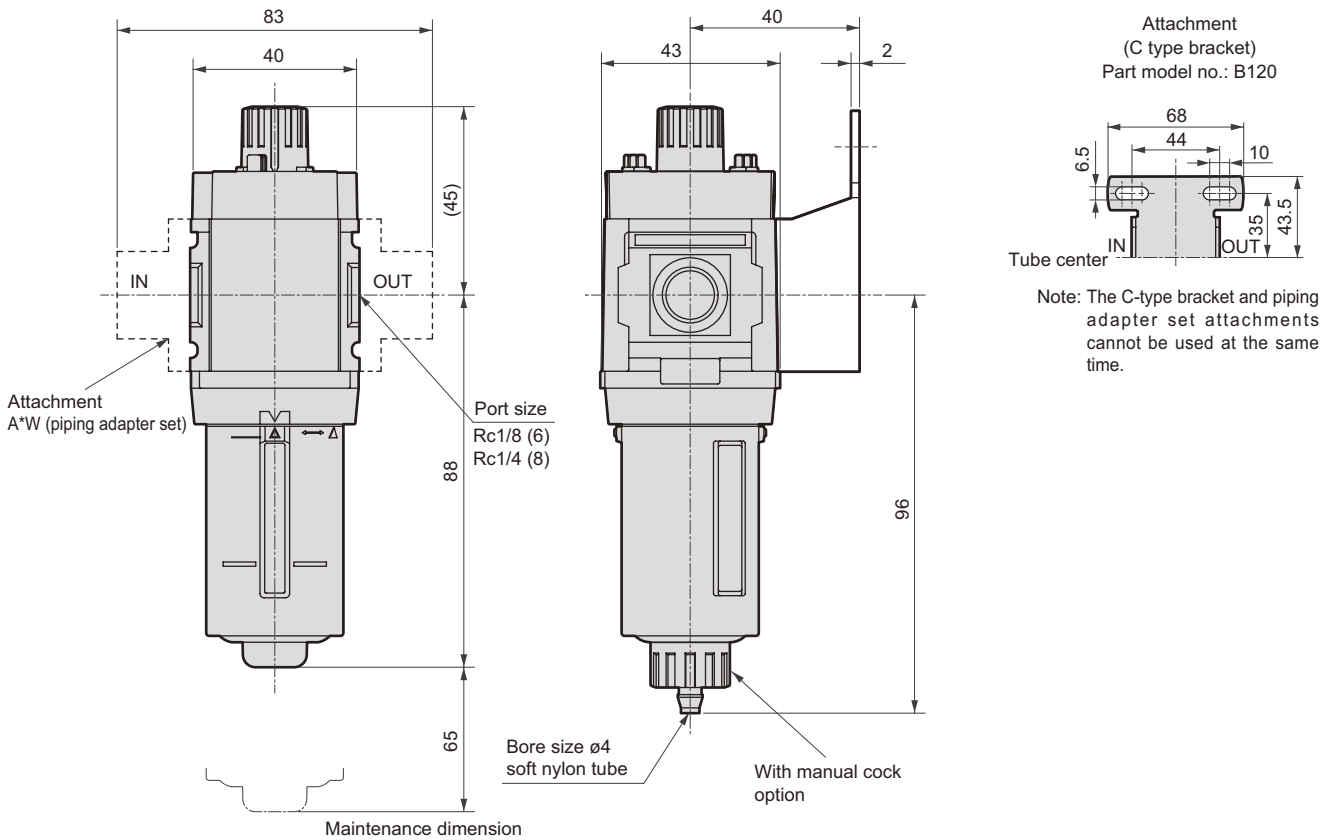
No.	Part name	Material			
		L1000-W	L3000-W	L4000-W	L8000-W
1	Plate cover	ABS resin			
2	Body	Polyamide resin, steel	Aluminum alloy die-casting		
3	O ring	Note 1	Special nitrile rubber		
4	Flow guide	Urethane rubber resin		Nitrile rubber	
5	Bowl	Polycarbonate resin			
6	Bowl guard	Polyamide resin	Polyamide resin, steel		
7	Adjusting dome	Transparent nylon			
8	O ring	Nitrile rubber			
9	Filling plug	Polyacetal resin			

Note 1: The L1000-W O ring has a special shape.

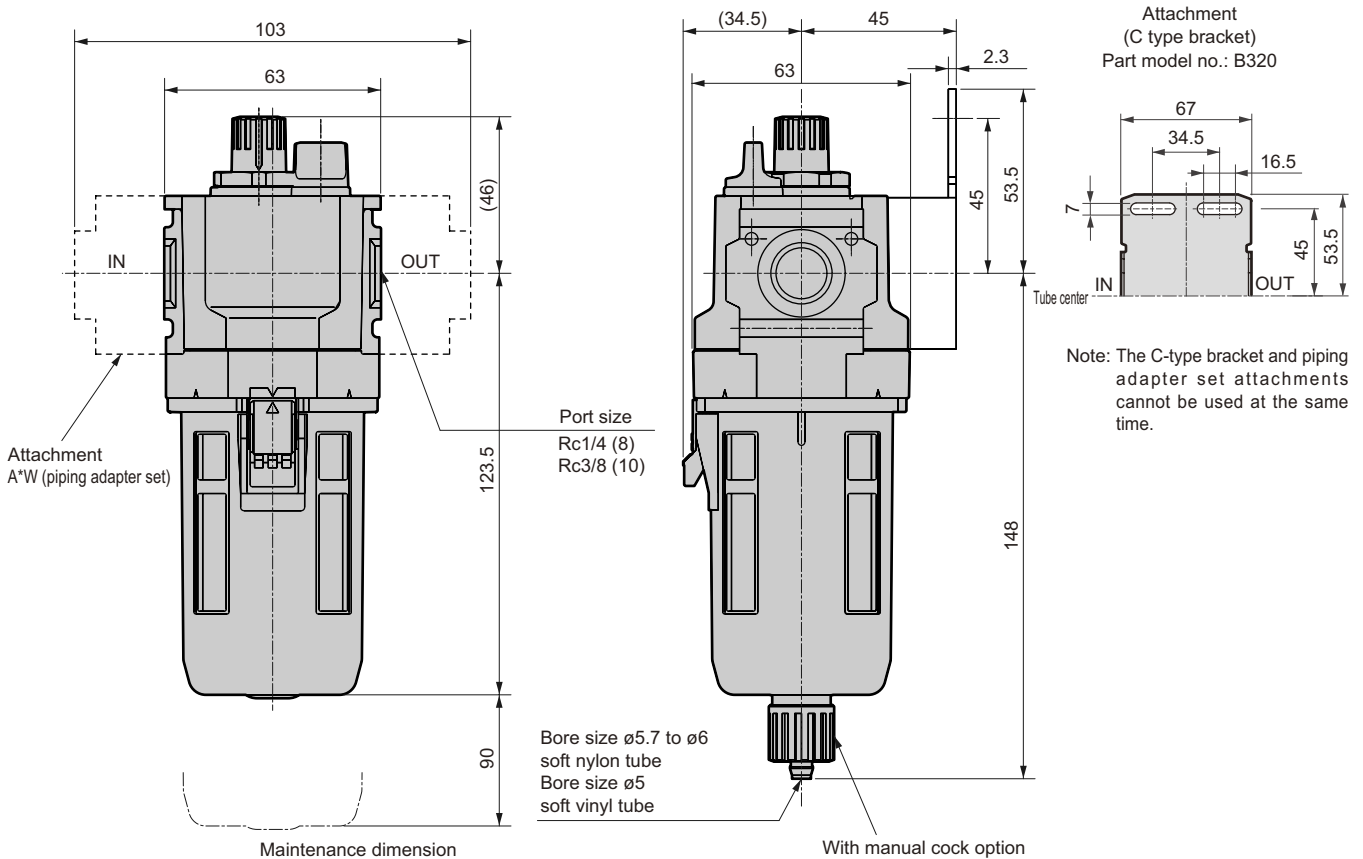
# Lubricator Series

## Dimensions

### ● L1000-W

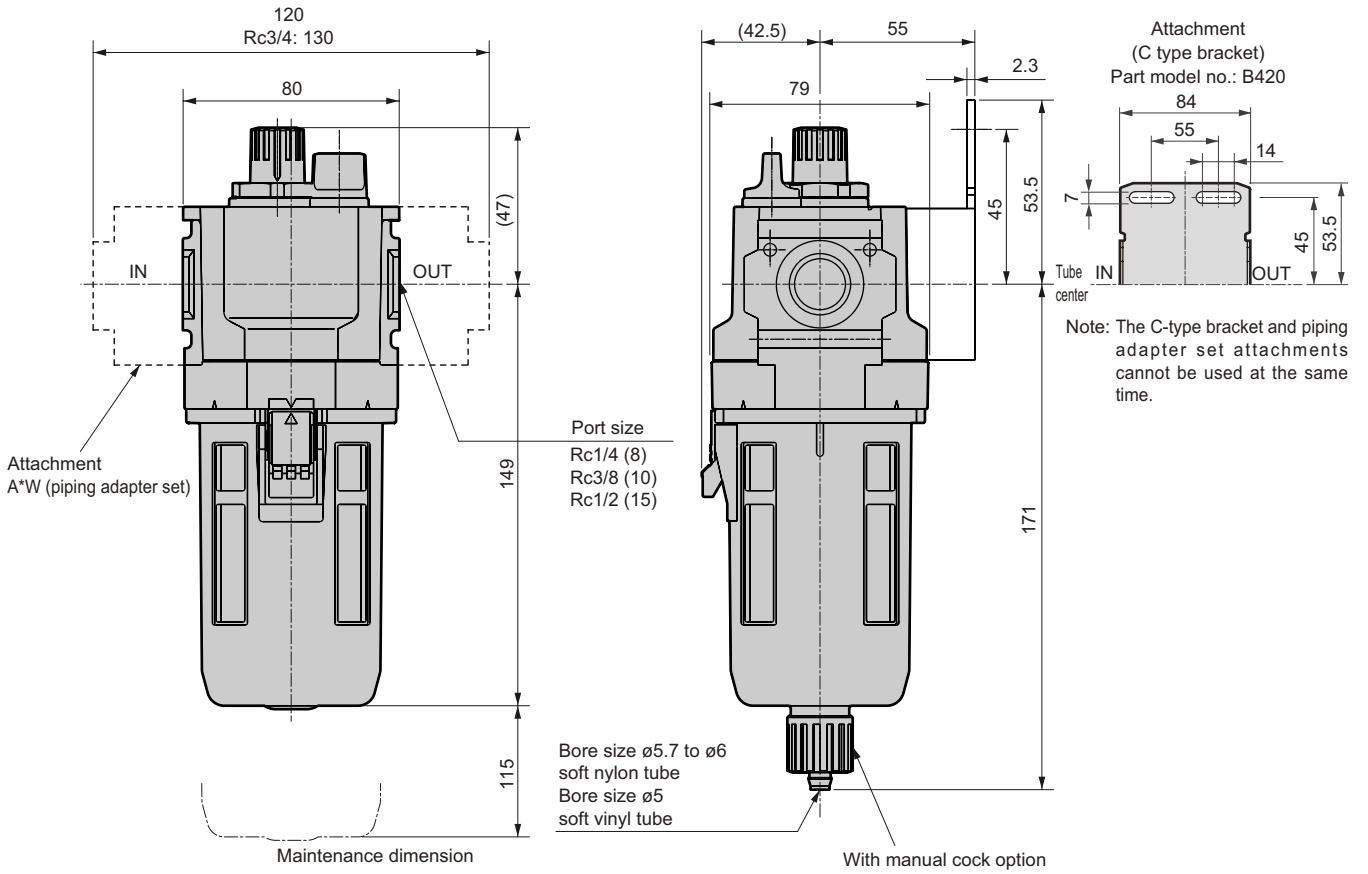


### ● L3000-W



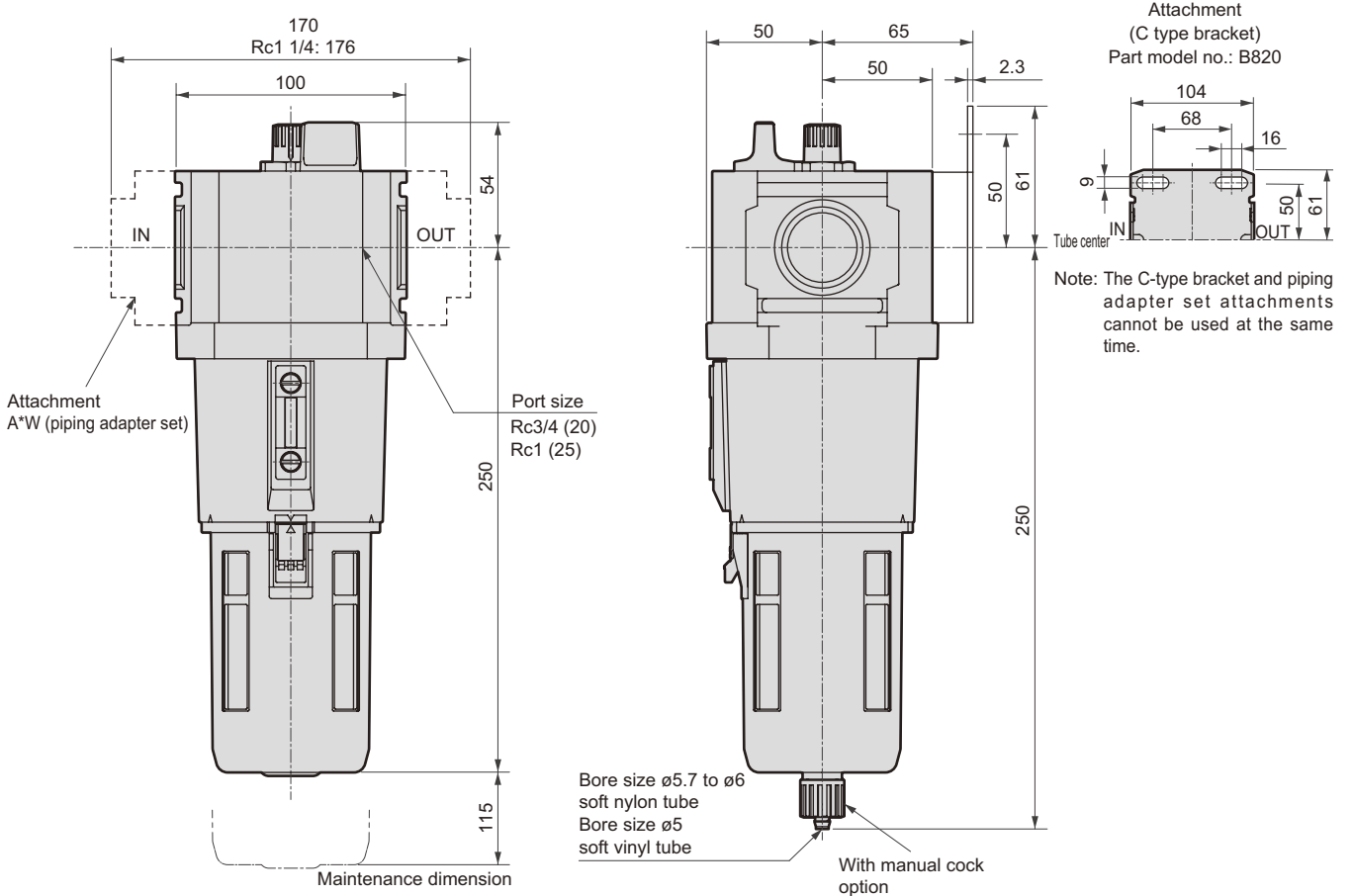
### Dimensions

#### ● L4000-W



Note: The C-type bracket and piping adapter set attachments cannot be used at the same time.

#### ● L8000-W

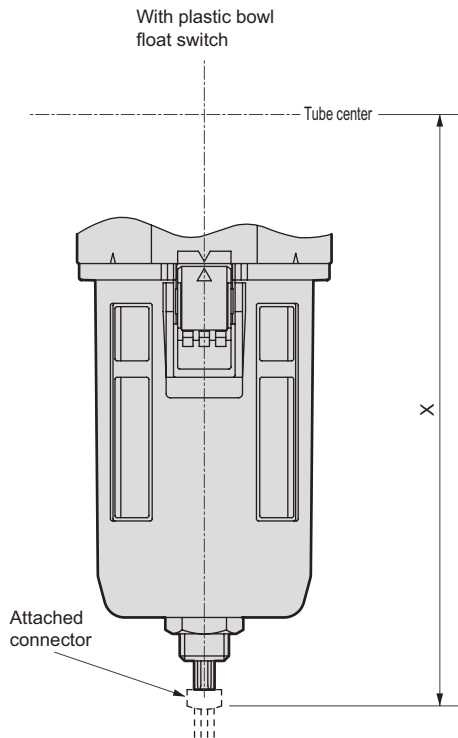


# Lubricator Series

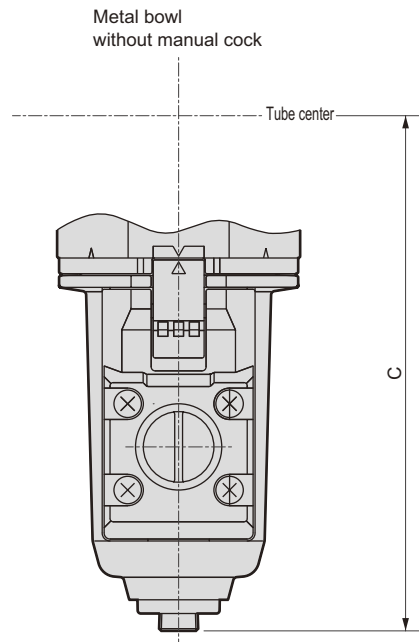
Optional dimensions 

Other options (L3000-W, 4000-W, 8000-W)

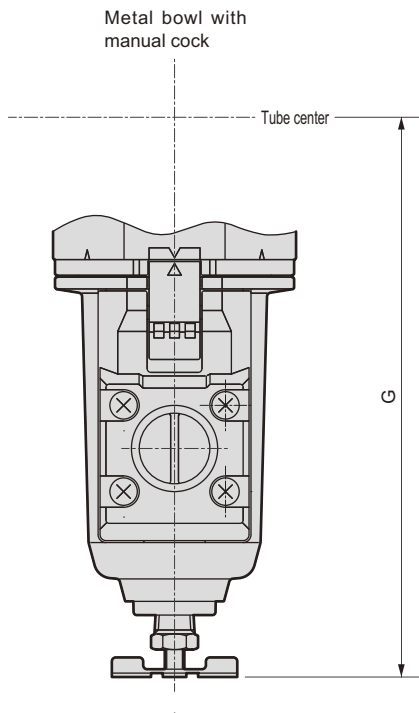
● Plastic bowl



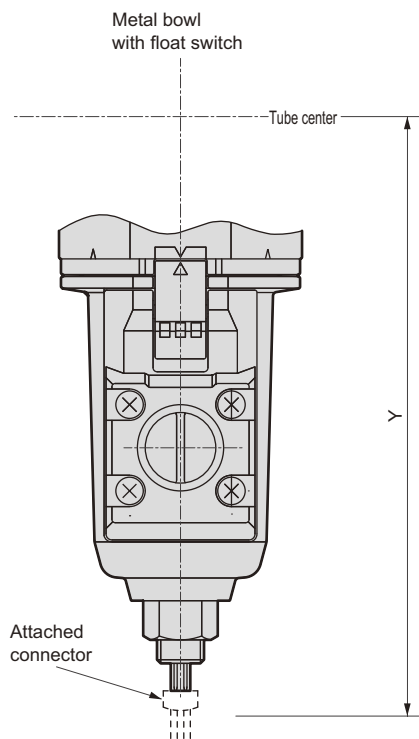
● Metal bowl without manual cock



● Metal bowl with manual cock

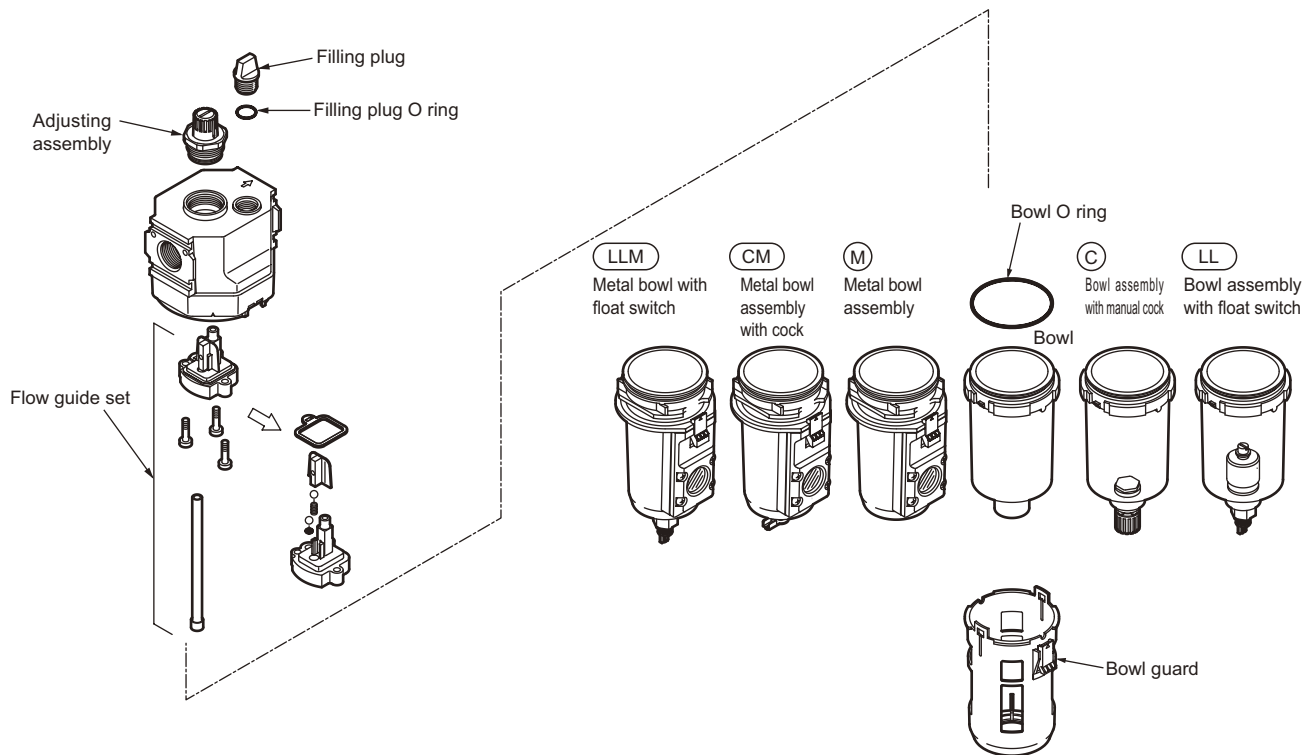


● Metal bowl with float switch



Model no.	C	G	X	Y
L3000-W	129	143.5	147	153.5
L4000-W	152	166.5	170	177
L8000-W	231.5	245.5	249	256

## Optional dimensions



### Consumable parts kit (Set consisting of fill plug O ring, adjustment assembly, flow guide set, bowl O ring)

Model no.	Repair kits model no. (for polycarbonate bowl)	Repair kits model no. (for nylon bowl and metal bowl)
L3000-W	L3000-W-KIT	L3000-W-KIT-Z
L4000-W	L4000-W-KIT	L4000-W-KIT-Z
L8000-W	L8000-W-KIT	L8000-W-KIT-Z

### Bowl assembly (Set consisting of bowl assembly and bowl O ring)

Bowl assembly model no.	Polycarbonate bowl without cock (Blank)	Nylon bowl without cock (Z)	Metal bowl without cock (M)	Polycarbonate bowl with cock (C)	Nylon bowl with cock (CZ)	Metal bowl with cock (CM)	Polycarbonate bowl with float switch (LL)	Nylon bowl with float switch (LLZ)	Metal bowl with float switch (LLM)
L1000-W	L1000-BOWL	L1000-BOWL-Z	-	F1000-W-BOWL	F1000-W-BOWL-Z	-	-	-	-
L3000-W	L3000-BOWL	L3000-BOWL-Z	L3000-W-BOWL-M	F3000-W-BOWL	F3000-W-BOWL-Z	F3000-W-BOWL-M	L3000-BOWL-LL	L3000-BOWL-LLZ	L3000-W-BOWL-LLM
L4000-W, L8000-W	L4000-BOWL	L4000-BOWL-Z	L4000-W-BOWL-M	F4000-W-BOWL	F4000-W-BOWL-Z	F4000-W-BOWL-M	L4000-BOWL-LL	L4000-BOWL-LLZ	L4000-W-BOWL-LLM

\* Refer to the air filter options and parts table for details on the bowl guard.

### Adjusting assembly

Model no.	Adjusting assembly model no. (for polycarbonate bowl)	Adjusting assembly model no. (for nylon bowl and metal bowl)
L3000-W, L4000-W, L8000-W	L3000-W-AJ-KIT	L3000-W-AJ-KIT-Z

### Flow guide set

Model no.	Flow guide set model no.
L3000-W	L3000-FLOW-GUIDE
L4000-W	L4000-FLOW-GUIDE
L8000-W	L8000-FLOW-GUIDE

### Filling plug set (Set consisting of filling plug, filling plug O ring)

Model no.	Filling plug set model no.
L3000-W, L4000-W	L3000-W-PLUG
L8000-W	L8000-W-PLUG