



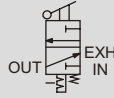
Shut-off valve standard white Series

# V1000-W/V3000-W Series

One action exhaust operation. Prevent residual pressure accidents in pneumatic lines.

Port size: 1/8 to 1/2

JIS symbol

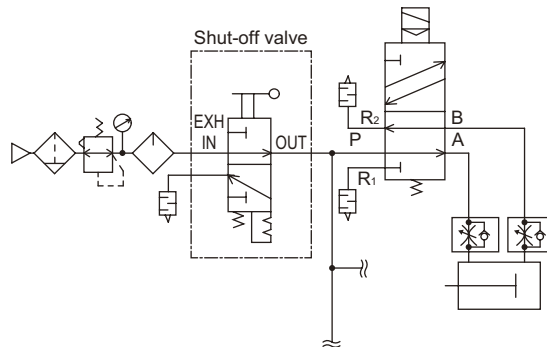


## Specifications

Descriptions		V1000-W		V3000-W		
Appearance						
Descriptions		V1000-6-W	V1000-8-W	V3000-8-W	V3000-10-W	V3000-15-W
Working fluid		Compressed air				
Max. working pressure MPa		1.0				
Withstanding pressure MPa		1.5				
Fluid temperature °C		5 to 60				
Operation lever switchover angle		90°				
Operating force	Pushing force N	18		80		
	Torque N·m	0.5		2		
Valve section leakage cm <sup>3</sup> /min. (ANR)		10				
External leakage cm <sup>3</sup> /min. (ANR)		10				
Port size (Rc, NPT, G)	IN-OUT	1/8	1/4	1/4	3/8	1/2
	EXH	1/8		3/8		
Product weight kg		0.17		0.25		
Effective sectional area (mm <sup>2</sup> )	IN/OUT	15	18	40	70	85
	OUT/EXH	5		40	50	50

## Applications

Explanation: For safety, release compressed air in the pneumatic circuit from the lockout valve before repairing or adjusting the solenoid valve or air cylinder, etc.



## How to order

● F.R.L1000 Series



● F.R.L3000, 4000 Series



A Model no.

B Port size

C Port thread type

D Option

E Display unit

F Attachment  
Note 1

A Model no.	
V	V
1	3
0	0
0	0
0	0

Symbol	Descriptions		
<b>B Port size</b>			
6	Rc1/8	●	
8	Rc1/4	●	●
10	Rc3/8		●
15	Rc1/2		●
<b>C Port thread type</b>			
Blank	Rc thread	●	●
N	NPT thread	●	●
G	G thread	●	●
<b>D Option</b>			
Blank	Standard flow (left → right)	●	●
X1	IN/OUT reverse flow (right → left)	●	●
<b>E Display unit</b>			
Blank	MPa display, Rc thread	●	●
J1	MPa display, NPT, G thread	●	●
<b>F Attachment (attached)</b>			
Blank	Without attachment	●	●
A6*W	1/8 piping adapter set	●	
A8*W	1/4 piping adapter set	●	●
A10*W	3/8 piping adapter set	●	●
A15*W	1/2 piping adapter set		●
A20*W	3/4 piping adapter set		●
BW	C type bracket	●	●
S	Silencer	●	●
<b>* Adaptor screw type</b>			
Blank	Rc thread	●	●
N	NPT thread	●	●
G	G thread	●	●

### ⚠ Note on model no. selection

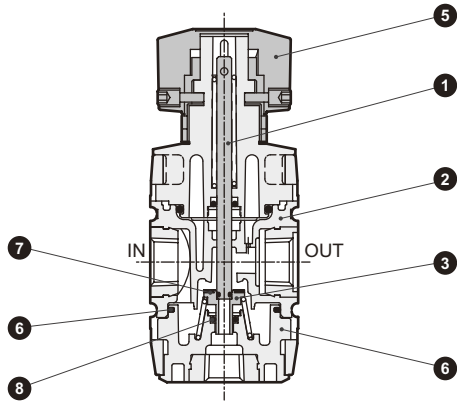
Note 1: Piping adapter set A\*00-\*\*-W is attached (refer to page 151).  
The piping adapter set and C bracket cannot be used together.

⚠ Select the reverse regulator (R\*100-W) or reverse filter regulator (W\*100-W) when installing the V\*000-W onto the primary side of the regulator or filter regulator.

# V\*000-W Series

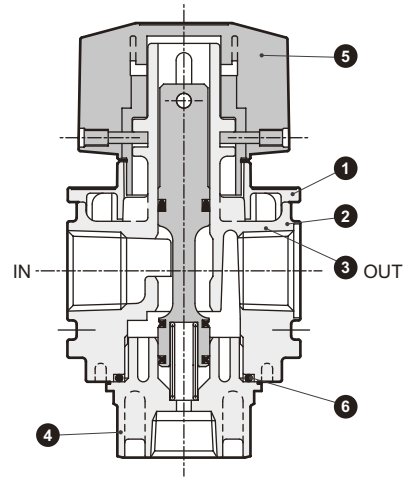
## Internal structure and parts list

### ● V1000-W



No.	Part name	Material
1	Spool	Steel
2	Body assembly	Polyamide resin, steel
3	Valve element	Brass, nitrile rubber
4	Bottom plug	Polyamide resin, steel
5	Knob	Polyacetal resin
6	Packing seal	Nitrile rubber
7	O ring	Nitrile rubber
8	O ring	Nitrile rubber

### ● V3000-W



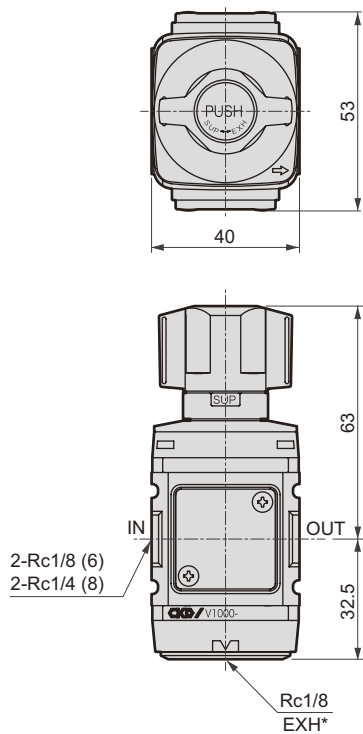
No.	Part name	Material
1	Plate cover	ABS resin
2	Body	Aluminum alloy die-casting
3	Spool assembly	Aluminum alloy urethane rubber resin
4	Bottom plug	PBT resin Note 1
5	Knob	Polyacetal resin
6	O ring	Nitrile rubber

Note 1: The metal bottom plug is used as a custom-order part.

## Dimensions

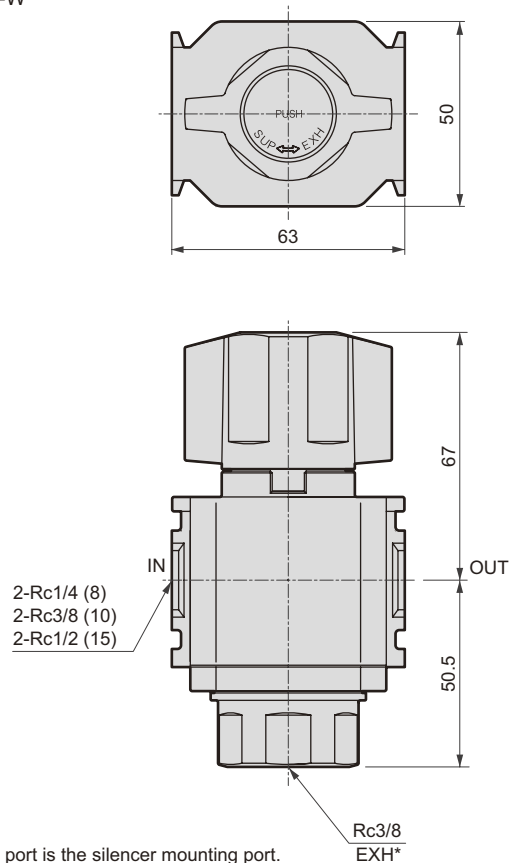


### ● V1000-W



\* The EXH port is the silencer mounting port.

### ● V3000-W



\* The EXH port is the silencer mounting port.